



User Manual

Carpet Deluxe attachment kit



Model Number:

KIT-LV30/35/40-CD

Index

1. Kit inclusion	3
2. High-voltage hose	4
3. Carpet beater specification	5
4. High-Voltage wand specification	5
5. How to use the carpet beater	6
6. Low-Voltage wand specification	7
7. Included cleaning tool	8
8. Easy Storage	9

CARPET BEATER MAINTENANCE

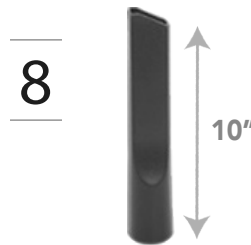
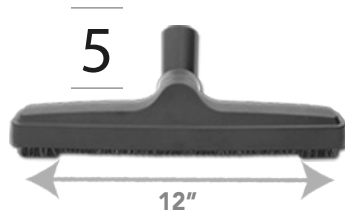
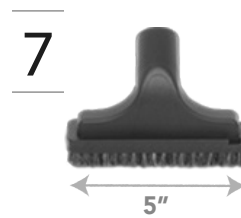
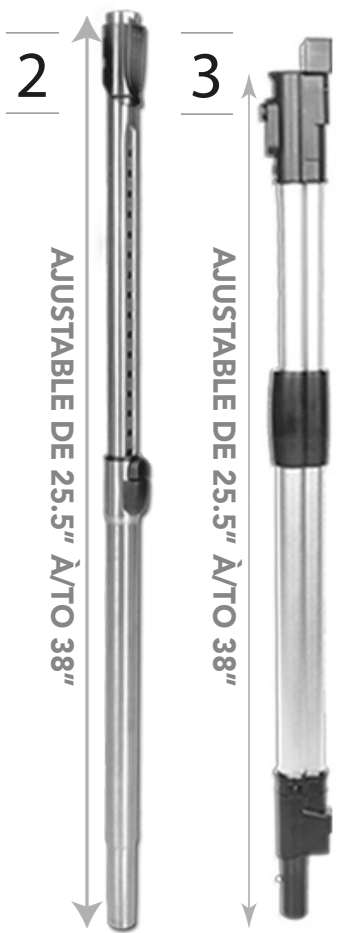
9. How to replace the belt	10-11
10. How to replace the Roller brush	12-13
11. How to replace the light	14
12. What to do when clogging	15
13. Trouble shooting	16



1. INCLUDED IN THE KIT



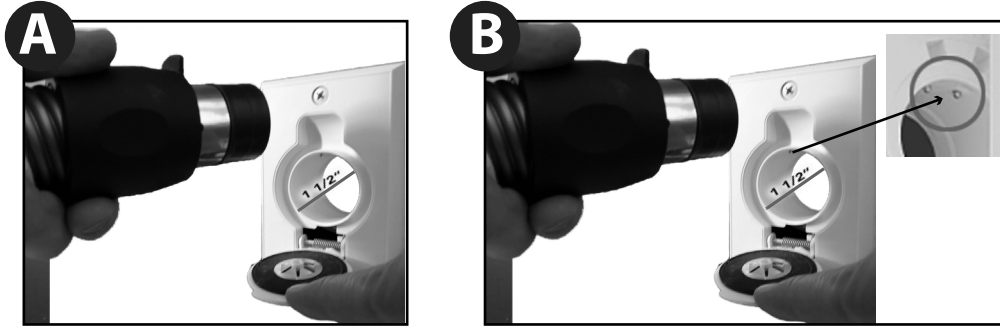
1. High-voltage hose with dual control switch
2. Adjustable Low-Voltage wand
3. Adjustable High-Voltage wand
4. Electrical carpet beater
5. 12" Floor brush
6. Dusting Brush
7. Upholstery Brush
8. Crevice Tool
9. Accessory Bag
10. Chrome hose hanger



2. HIGH-VOLTAGE HOSE

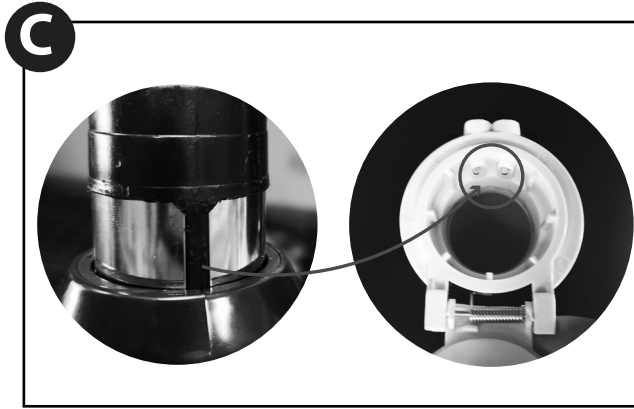
2.1 Compatibility

The hose is compatible with most wall inlets. Inlets must have a 1.5" inner diameter **(A)** in order for the hose to fit, and must have 2 low-voltage pins/metal prongs **(B)** in order to turn the hose ON/OFF from the switch located on the hose handle.



2.2 Connecting the hose to the wall inlet

The hose end cuff must be connected as shown in the picture below. The black part on the end cuff must be well aligned with the 2 pins inside the inlet **(C)**. The plastic square must be facing up **(D)**.



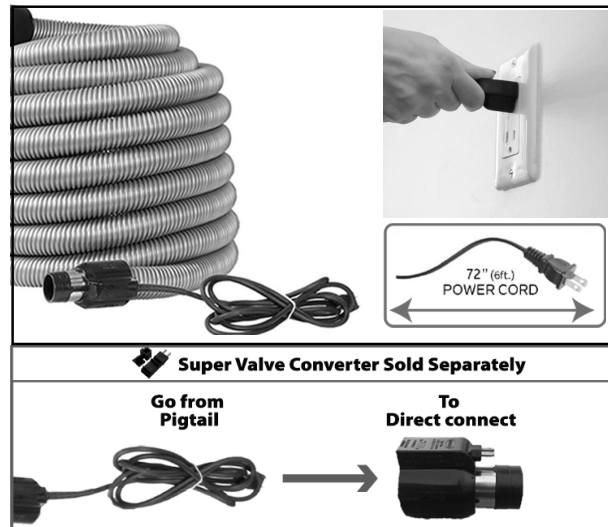
2.3 Dual switch control

1. Suction activation only: When using floor brush and accessories
2. Turn the unit off
3. Suction and carpet beater activation



2.4 72" pigtail (power cord)

The pigtail must be plugged into a standard 110-120 V outlet to power the electric carpet beater. The switch must be set to level II as demonstrated in step 2.3.



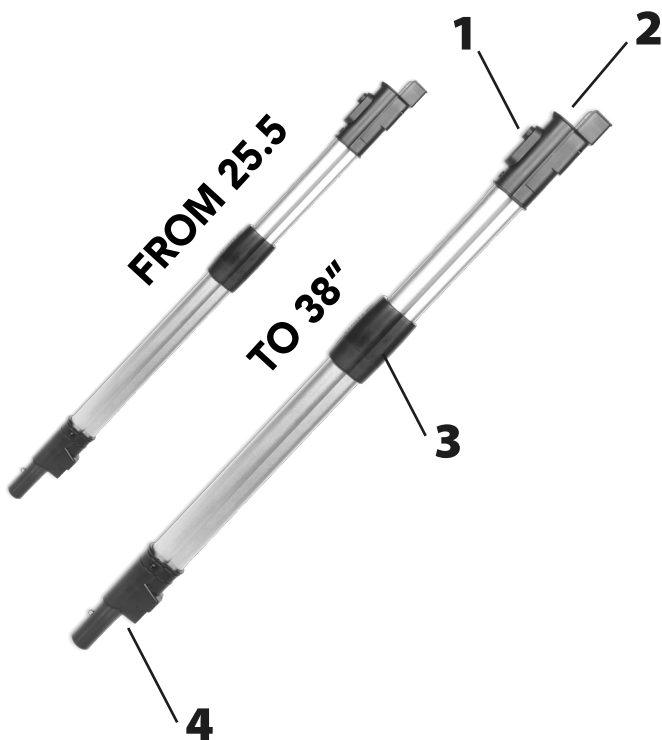
3. CARPET BEATER SPECIFICATIONS

Carpet Beater (Power head)



1. Brush roll ON/OFF switch
2. Overload protector reset
3. Carpet height indicator
4. Dirt sensor
5. Carpet height adjustment
6. Handle position release
7. Wand release latch

4. HIGH-VOLTAGE WAND SPECIFICATION



1. Hose nozzle release button
2. Hose nozzle connection
3. Wand extension handle
4. Carpet beater connection



5. INSTRUCTIONS

Connecting the wand to the electric carpet beater (powerhead)

5.1 Carpet beater port



Carpet beater (Powerhead) port

The OVO electric carpet beater (powerhead) has male ports to connect to the electric wand.

5.2 Electrical wand port



Wand port

The OVO electric wand has female ports to connect to the electric carpet beater (powerhead).

5.3 Connection of the wand to the beater



Connection

To connect the wand to the electric carpet beater, align the female ports (from the wand) and the male connectors (from the carpet beater), then push the wand into the beater.

Connecting the high-voltage hose to the wand

5.4 Hose nozzle port



Hose port

The hose nozzle must have two female ports in order to connect it to the wand.

5.5 Electrical wand port



Wand ports

Our electric wand has 2 male ports.

5.6 Connection of the hose nozzle to the wand



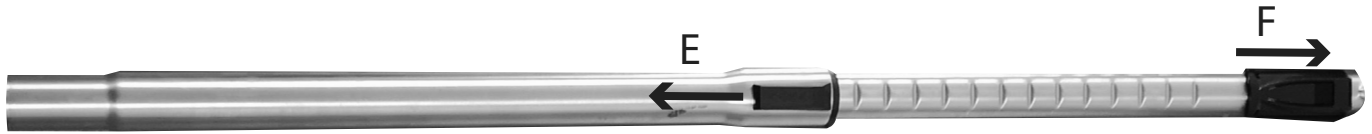
Connection

Align the female ports from the hose nozzle with the male ports on the wand and push the hose nozzle into the wand.

6. LOW-VOLTAGE WAND

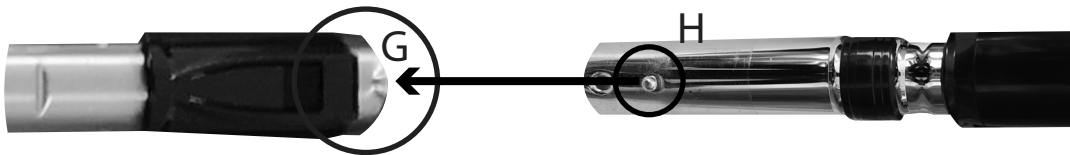
6.1 How to extend the wand

To extend the wand, simply push on the button **(E)** and pull on the wand **(F)** at the same time



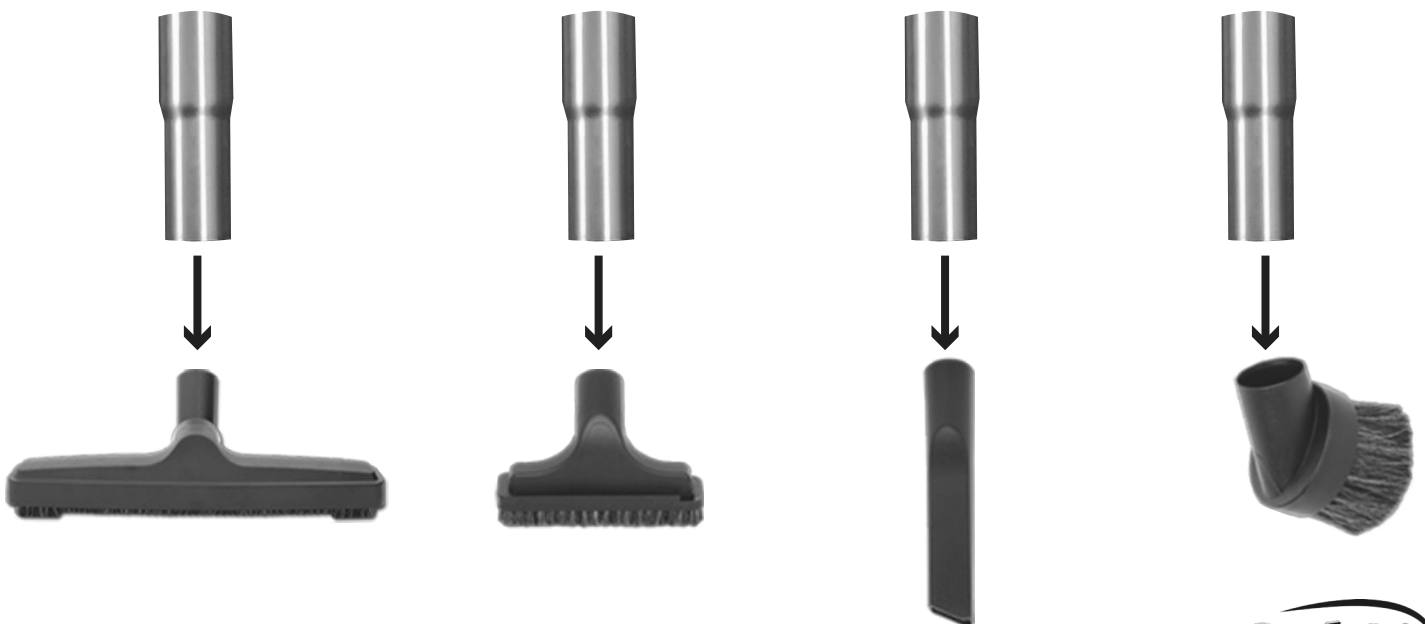
6.2 How to connect the wand to the hose nozzle

Align the hose nozzle button **(G)** with the lock button on the wand **(H)** and push the nozzle in the wand until you here a "click"



6.3 How to connect the different attachment tools

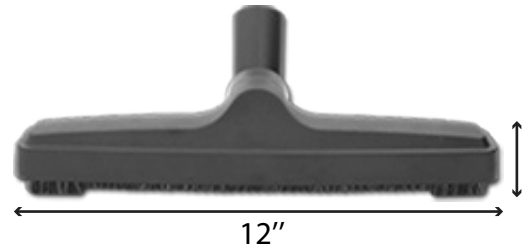
Insert the other end of the wand into the port on the brushes



7. INCLUDED CLEANING TOOLS

7.1 12" Superior Floor brush

Ideal for hard surfaces. Made of horse hair - Will not scratch your floor



7.2 Dusting brush

Made of horse hair - Delicate and soft on furniture



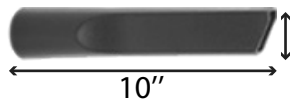
7.3 Upholstery brush

Made of horse hair - Perfect for delicate furniture



7.4 Crevice tool

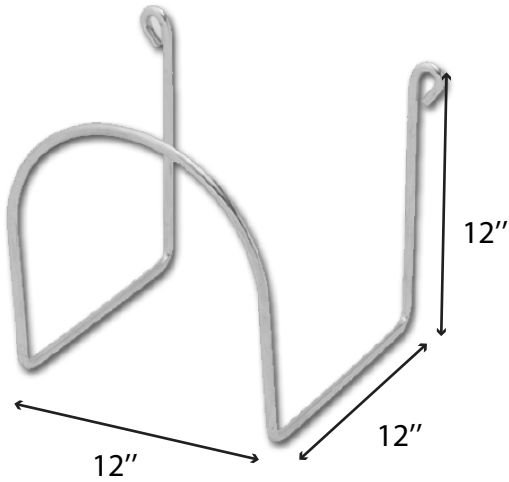
Ideal to clean cracks and crannies



8. EASY STORAGE INCLUDED

8.1 Chrom hose hanger

Perfect accessory to store your hose cleanly



8.1 Accessory bag

2 Large pockets to make it easy to store your accessories without making a mess in your storage room.



9. HOW TO REPLACE THE BELT



ALWAYS DISCONNECT THE VACUUM AND THE HIGH-VOLTAGE HOSE FROM THE ELECTRICAL OUTLET BEFORE PROCEEDING WITH THE FOLLOWING MAINTENANCE.

Belt Replacement

The belt installed in the electric carpet beater (powerhead) makes the brush roll turn. It has been specifically designed for our electric carpet beater and is required to ensure a flawless operation.



Always follow these procedures to verify or replace the belt in order to avoid damaging the carpet beater.

STEP 1 Unscrew the powerhead cover

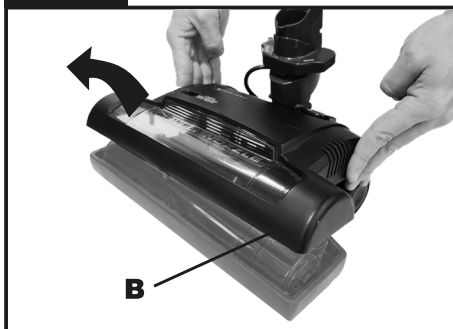


1-Disconnect the wand from the electric carpet beater (powerhead).

2-Turn the electric carpet beater (powerhead) so that the bottom is facing you.

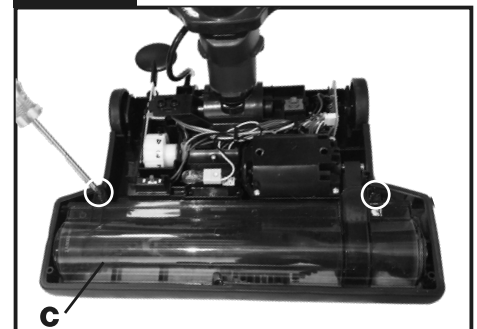
3-Remove the 7 screws as illustrated above.

STEP 2 Remove the powerhead cover



Turn the electric carpet beater (powerhead) so that the top part is facing you and lift the cover (B) to remove it.

STEP 3 Remove the brush roll cover



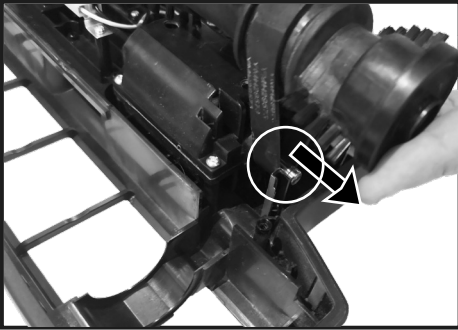
To remove the brush roll cover, remove the screws as illustrated above and lift the cover to remove it.



Do not remove the 3 screws in a triangle formation as these hold the motor in place

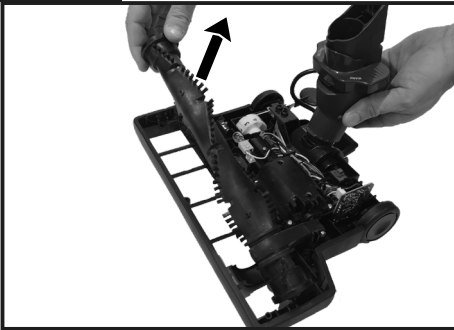
9. HOW TO REPLACE THE BELT (cont.)

STEP 4 Verify/remove the belt



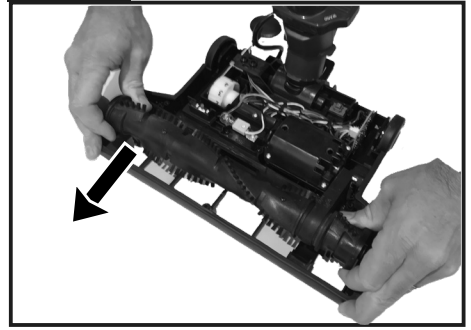
If the belt is stretched or cut, pull it out from the motor pulley, as illustrated above.

STEP 5 Remove/replace the belt



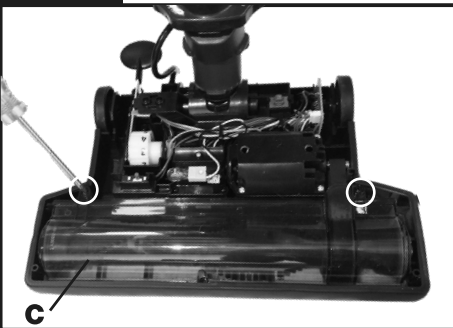
- 1-Lift the end of the brush roll.
- 2-Remove the old belt and replace it with the new one. Make sure the lettering is facing you and that it is visible.
- 3-Stretch the belt and attach it to the motor pulley.

STEP 6 Replace the brush roll



- 1-Hold the opposite end of the brush roll in place.
- 2-Push the belt end forward and down while rotating the endplate until it slides into place.
- 3-Turn the brush roll to make sure it rotates freely.

STEP 7 Replace the brush roll



- 1-Put the brush roll cover back over the brush roll.
- 2-Replace the 2 screws and make sure the cover is well attached.

STEP 8 Replace the carpet beater (powerhead) cover



- 1-The wand port must be in the upright position and locked in place.
- 2-Put the cover back on top of the electric carpet beater (powerhead).
- 3-Turn the carpet beater (powerhead) over.
- 4-Replace the screws, as illustrated in step 1.

STEP 9 Screw the powerhead cover in place



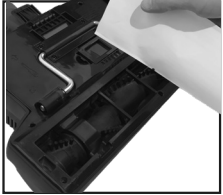
Replace the 7 screws as illustrated above.



10. HOW TO REPLACE THE BRUSH ROLL

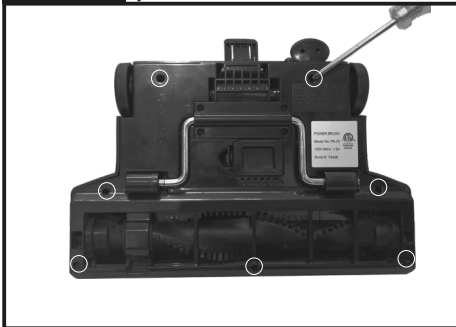


Always follow these procedures to verify or replace the brush roll in order to avoid damaging the carpet beater.



To check if the brush roll needs to be changed, slide cardboard across the bottom plate while turning the brush roll. If the brushes do not touch the cardboard, it is time to change the brush roll.

STEP 1 Unscrew the powerhead cover

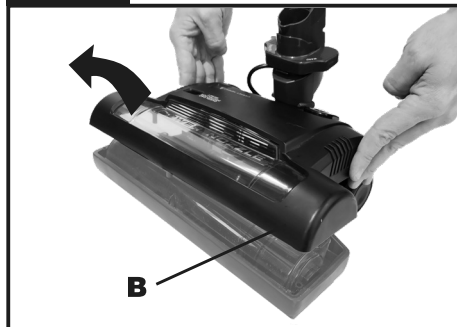


1-Disconnect the wand from the electric carpet beater (powerhead).

2-Turn the electric carpet beater (powerhead) so that the bottom is facing you.

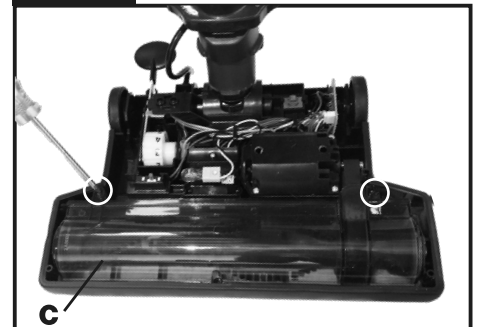
3-Remove the 7 screws as illustrated above.

STEP 2 Remove the powerhead cover



Turn the electric carpet beater (powerhead) so that the top part is facing you and lift the cover (B) to remove it.

STEP 3 Remove the brush roll cover



To remove the brush roll cover, remove the screws as illustrated above and lift the cover to remove it.



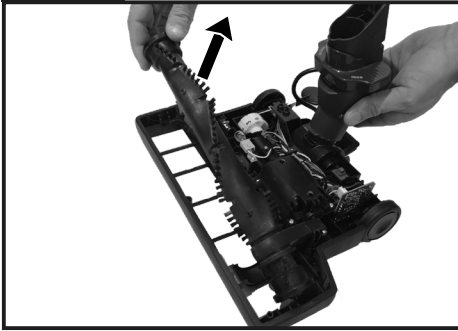
Do not remove the 3 screws in a triangle formation as these hold the motor in place

10. HOW TO REPLACE THE BRUSH ROLL (cont.)



Always follow these procedures to verify or replace the brush roll in order to avoid damaging the carpet beater.

STEP 4 Remove/replace the brush roll



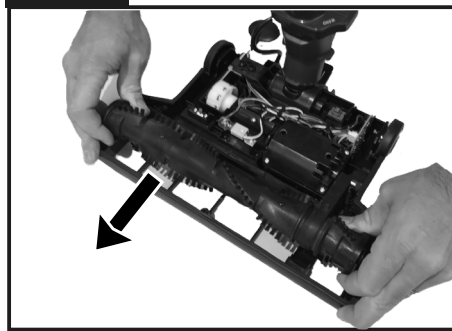
1- Lift the end of the brush roll to release the belt.

2- Remove the old brush roll and replace it with the new one.

3- Loop the belt around to the motor pulley.

4- Make sure the belt is sitting in the "belt groove" on the brush roll.

STEP 5 Replace the brush roll

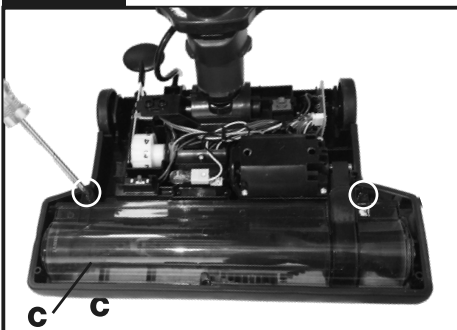


1-Hold the opposite end of the brush roll in place.

2-Push the belt end forward and down while rotating the endplate until it slides into place.

3-Turn the brush roll to make sure it rotates freely.

STEP 5 Replace the brush roll cover



1-Put the brush roll cover back over the brush roll.

2-Replace the 2 screws and make sure the cover is well attached.

STEP 6 Replace the carpet beater (powerhead) cover



1-The wand port must be in the upright position and locked in place.

2-Put the cover back on top of the electric carpet beater (powerhead).

3-Turn the carpet beater (powerhead) over.

4-Replace the screws, as illustrated in step 1.

STEP 7 Screw the powerhead cover in place

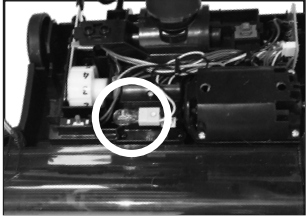


Replace the 7 screws as illustrated above.

11. HOW TO REPLACE THE HEAD LIGHT



Always follow these procedures to verify or replace the head light in order to avoid damaging the carpet beater.



The light is on when the vacuum is on. If the light does not turn on, this means it is burned out and needs to be changed. Follow the steps below to achieve this.

STEP 1 Unscrew the powerhead cover

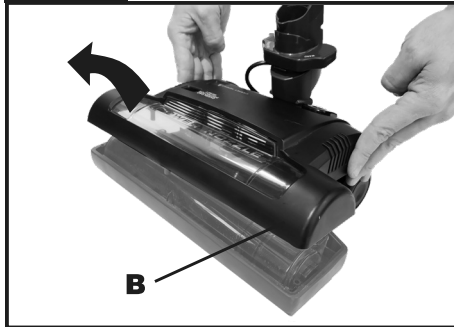


1-Disconnect the wand from the electric carpet beater (powerhead).

2-Turn the electric carpet beater (powerhead) so that the bottom is facing you.

3-Remove the 7 screws as illustrated above.

STEP 2 Remove the powerhead cover



Turn the electric carpet beater (powerhead) so that the top part is facing you and lift the cover (B) to remove it.

STEP 3 Replace the lightbulb



Remove the old bulb from the socket and replace it with the new one.

STEP 4 Put the carpet beater cover back in place



1-The wand port must be in the upright position and locked in place.

2-Put the cover back on top of the electric carpet beater (powerhead).

3-Turn the carpet beater (powerhead) over.

4-Replace the screws, as illustrated in step 1.

STEP 5 Screw the power head cover back in place



Replace the 7 screws as illustrated above.



Do not remove the 3 screws in a triangle formation as these hold the motor in place

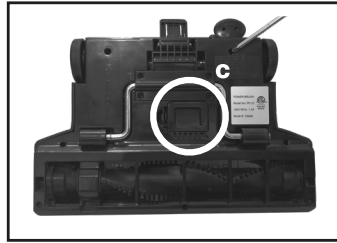
12. CLOG IN THE POWER NOZZLE

If the carpet beater (powerhead) gets clogged, use the following procedure to check and clear the blockage.



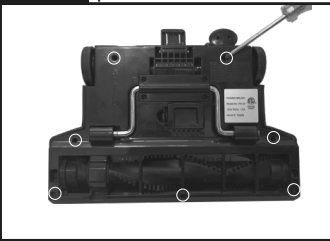
If the clogging is severe enough, the power nozzle will stop operating.

Once you clear the blockage, press the overload protection reset button (A) and the power nozzle will start working again.



You will find an additional panel at the bottom of the power nozzle (C). This opening provides a secondary place to check for blockages.

STEP 1 Unscrew the powerhead cover

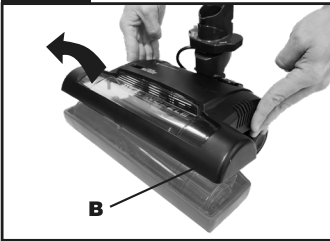


1-Disconnect the wand from the electric carpet beater (powerhead).

2-Turn the electric carpet beater (powerhead) so that the bottom is facing you.

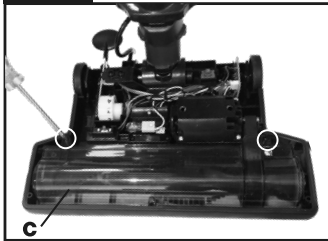
3-Remove the 7 screws as illustrated above.

STEP 2 Remove the powerhead cover

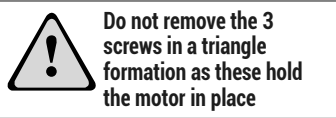


Turn the electric carpet beater (powerhead) so that the top part is facing you and lift the cover (B) to remove it.

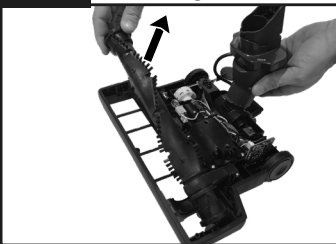
STEP 3 Remove the brush roll cover



To remove the brush roll cover, remove the screws as illustrated above and lift the cover to remove it.

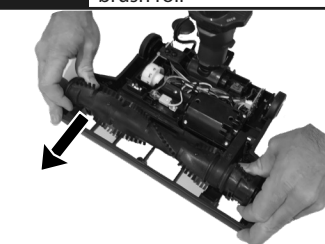


STEP 4 Locate and clean out the blockage



Locate the blockage. Clean the beater brush and remove the dirt that created the clogging.

STEP 5 Replace the brush roll



1-Hold the opposite end of the brush roll in place.

2-Push the belt end forward and down while rotating the endplate until it slides into place.

3-Turn the brush roll to make sure it rotates freely.

STEP 6 Replace the carpet beater (powerhead) cover



1-The wand port must be in the upright position and locked in place.

2-Put the cover back on top of the electric carpet beater (powerhead).

3-Turn the carpet beater (powerhead) over.

4-Replace the screws, as illustrated in step 1.

STEP 7 Screw the powerhead cover in place



Replace the 7 screws as illustrated above.

13. TROUBLE SHOOTING GUIDE

CHECK THESE FIRST

Service problems that appear to be major can often be solved easily. You can be your own troubleshooter by reviewing this guide.

Problem	Check	Solution
Power nozzle won't turn ON	• Hose power cord	• May not be properly connected. Plug hose firmly into receptacle on nozzle.
	• Belt	• Belt may be worn or broken. Check and replace if necessary
	• Switches	• Make sure surface selector switch and/or brushroll switch are both on.
	• Overload protection reset	• Make sure the overload protection button has been reset.
Power nozzle still does not operate properly	• Review all the above	• Contact your dealer for service.





USA: www.myovo.net
Canada: www.myovo.ca
1 800 776-7891

TO REGISTER YOUR WARRANTY:
USA: myovo.net/register
Canada: myovo.ca/registrer

TO GET THE PARTS OR OTHER PRODUCTS:

USA: myovo.net
CANADA: myovo.ca
EMAIL AT: info@myovo.net
TOOL FREE: 1-800-776-7891

2044 Autoroute 440 Ouest, Laval, QC, H7S 2M9