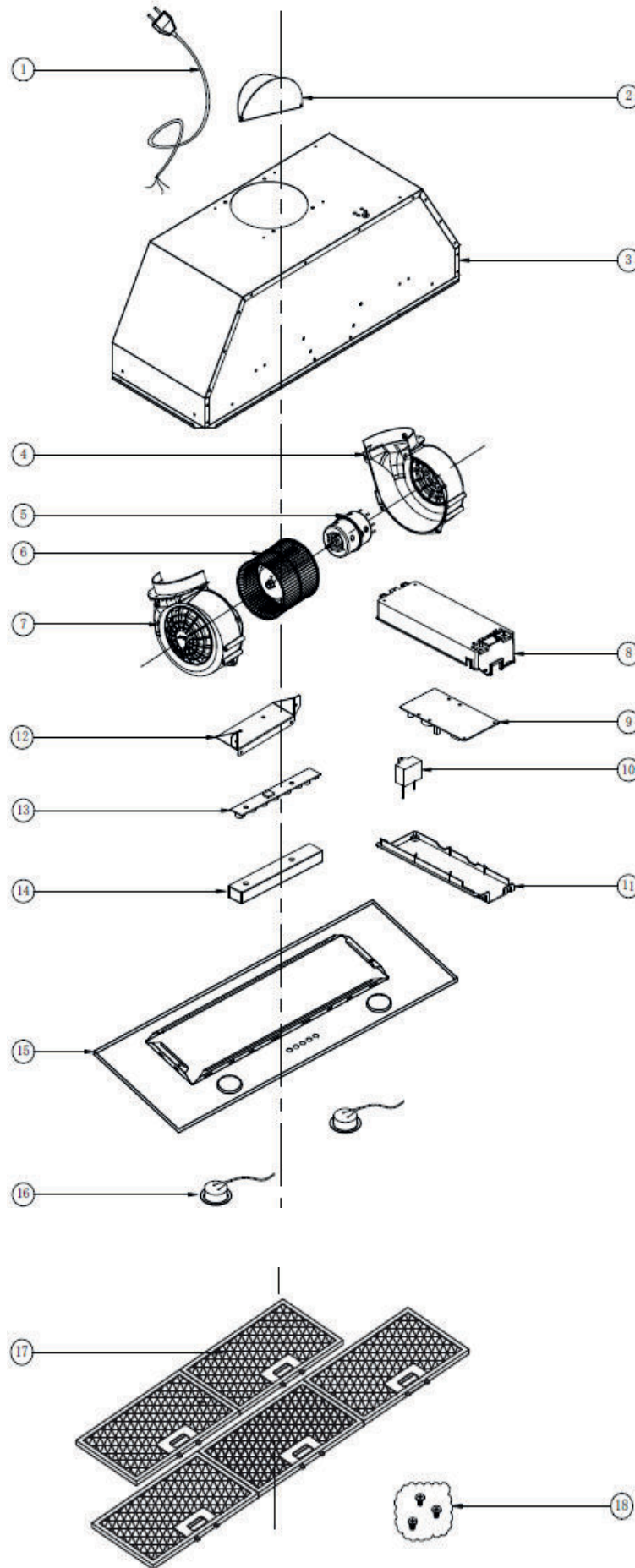


Range Hood Assembly



No.	Description
1	Power cord
2	damper flap
3	Housing
4	Motor assembly
5	
6	
7	
8	Junction box
9	PCB
10	Capacitor
11	Junction box cover
12	Switch bracket
13	Switch board
14	Switch box
15	Panel
16	LED light (LSD-E2)
17	Deco filter (70cm-2pcs; 90cm-3pcs)
18	Screw bag