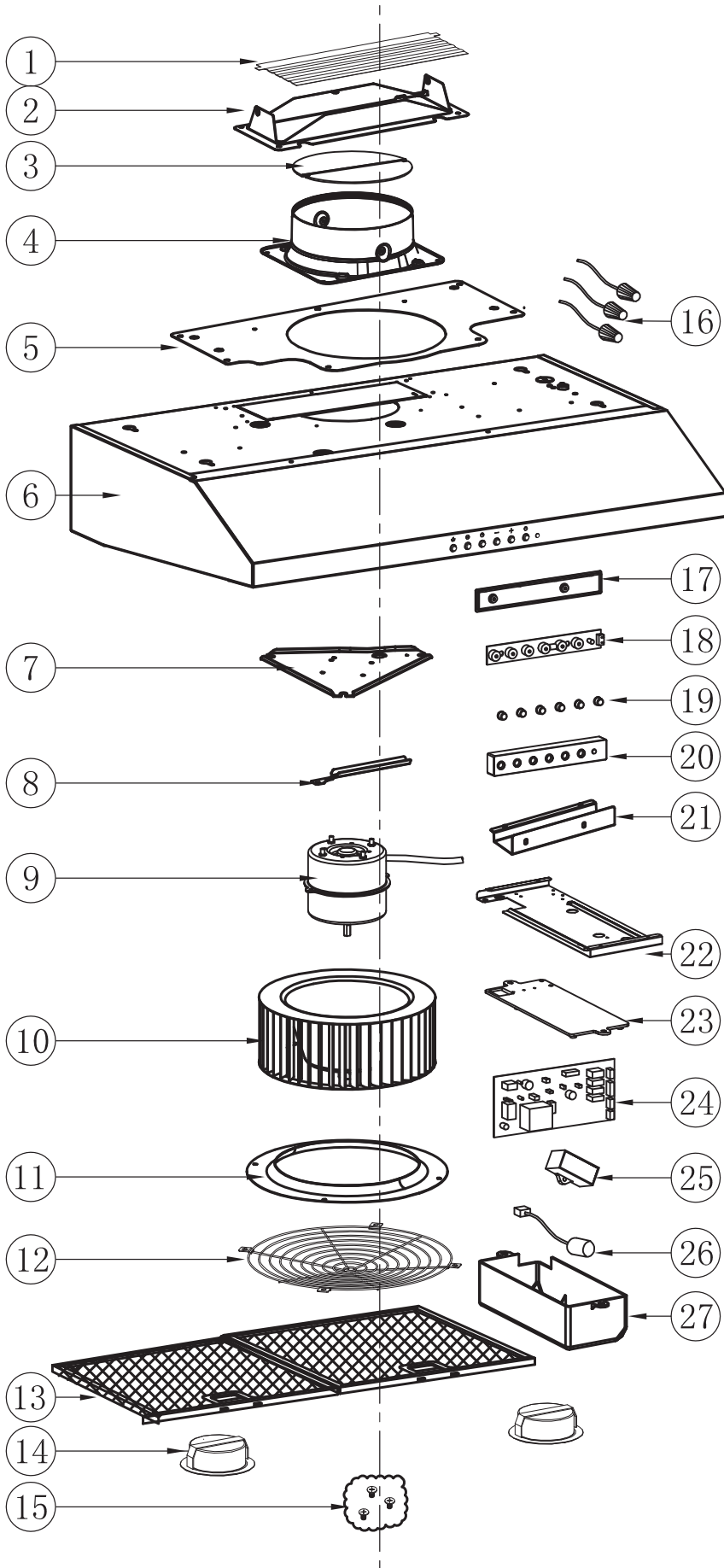


Range Hood Assembly



Number	Part
1	Damper flap (rectangle)
2	Vent (rectangle)
3	Damper flap (round)
4	Vent (round)
5	Rectangle bracket
6	Housing assembly
7	Motor bracket
8	Slot
9	Motor
10	Wheel
11	Metal ring
12	Metal cover
13	Filter (1 set with 2 pieces)
14	LED puck lights
15	Screw bag
16	Terminal cap
17	Cover of control box
18	Control board
19	Control button
20	Control box
21	Bracket of control
22	Bracket of electronic box
23	Base of electronic box
24	PCB
25	Capacitor
26	Shielding plug-in
27	Cover of electronic box