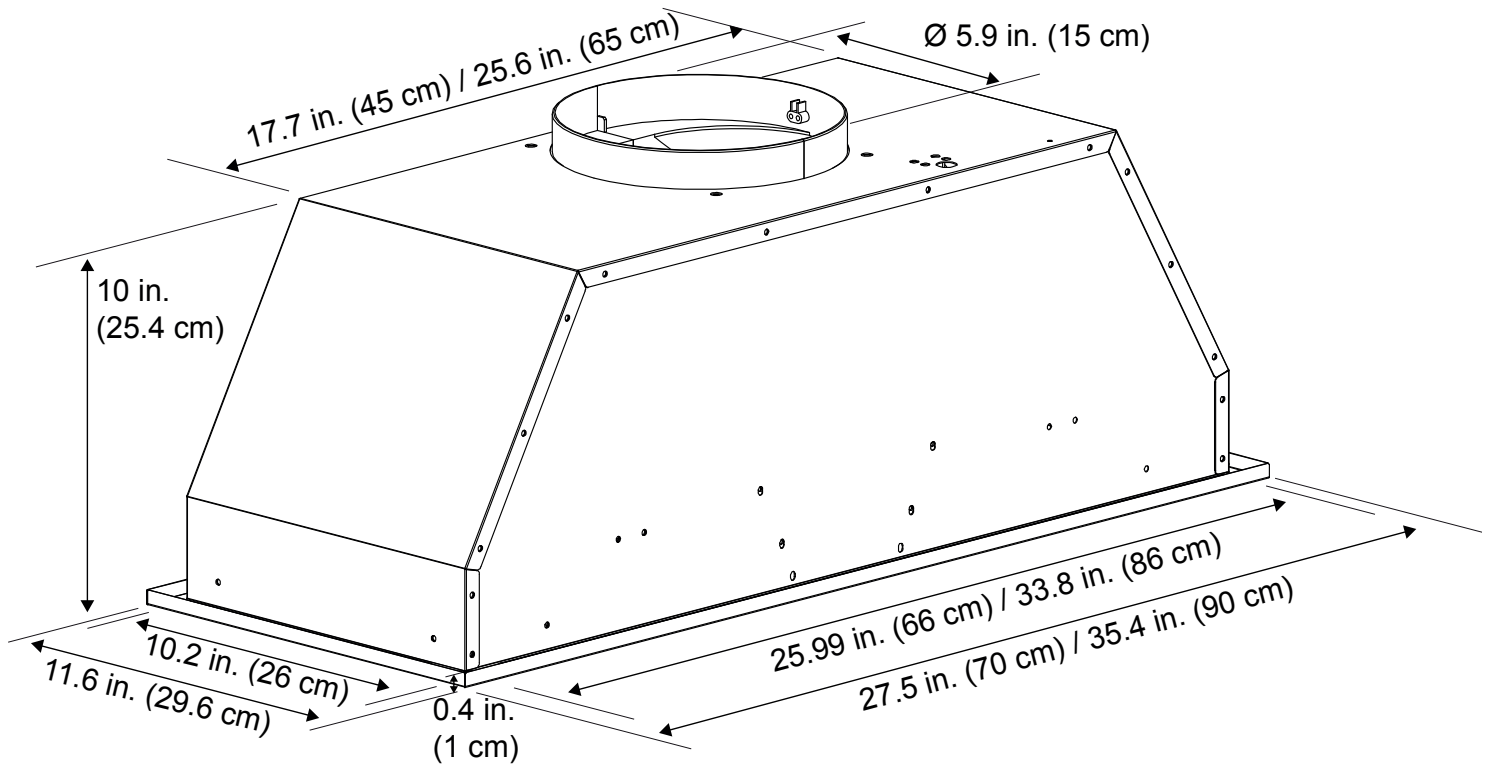


Range Hood Dimensions



Specifications

Body Design	Stainless Steel	
Power Rating	120 V / 60 Hz (cETLus Listed)	
CFM	680	900
Total Input Power	406 W (400 W + 2 x 3 W)	806 W (800 W + 2 x 3 W)
Motor Input Power	400 W	800 W
Amperage	3.4 A	7.0 A
Speed Control Levels	5 Speeds	
Interference Protection	Radio Frequency Interference Protected	
Motors	Single Motor	
Control	Electronic control panel	
Filtration	Decorative Filter	
Illumination	2 x 3 W LED	
Venting Size	Top, 6 inches (15 cm) Round	