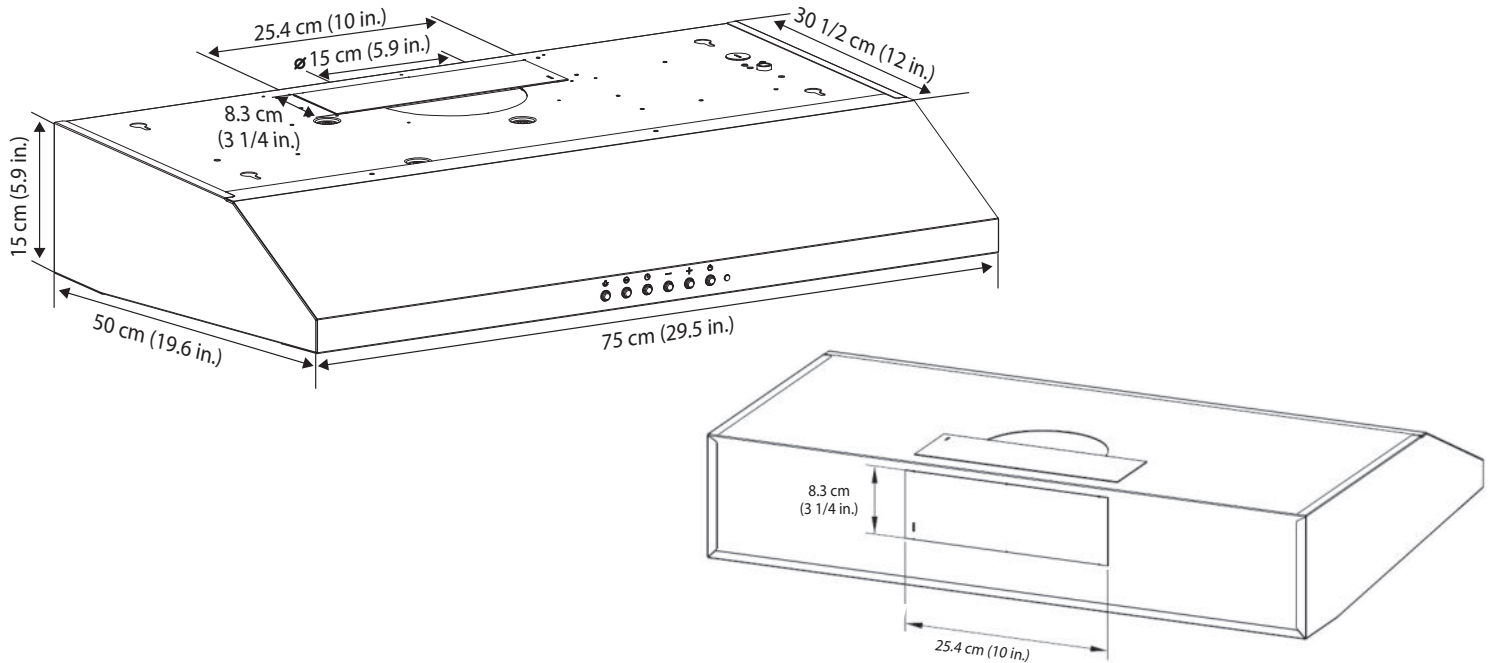


Range Hood Dimensions



Specifications

Body Design	Stainless Steel	
Power Rating	120 V / 60 Hz (cETLus Listed)	
CFM	450	700
Total Input Power	141 W (135 W + 2 × 3 W)	201 W (195 W + 2 × 3 W)
Motor Input Power	135 W	195 W
Amperage	1.2 A	1.8 A
Speed Control Levels	3 Speeds	
Interference Protection	Radio Frequency Interference Protected	
Motors	Single Motor	
Motor Type	Single Chamber Quiet	
Fan type	Centrifugal Squirrel Cage	
Control	Electronic control panel	
Filtration	Aluminum filter	
Illumination	2 × 3 W LED	
Venting Size	6 inches (15 cm) round or 3 1/4 × 10 inch (8.3 cm × 25.4 cm) rectangle, top or rear	