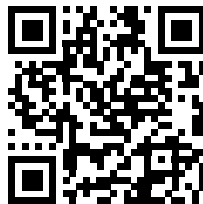




# Under cabinet Range Hood User Manual



Model Numbers:  
OV-1001 / OV-1013



Scan this QR code to  
watch the installation video  
or to visit the product page



---

**FOR RESIDENTIAL USE ONLY**

---

**Patent pending**

UM-UNDCCT-1

# Before You Begin

## **INSTALLERS - Start Here**

**Safety Instructions are on pages 4 to 6 and Installation Instructions are on pages 9 to 17.**

Please perform these steps:

1. Read the safety instructions.
2. Read all instructions in the Installation section of this manual BEFORE installing the range hood.
3. Remove all packing materials.
4. When finished, make sure to leave these instructions with the consumer.
5. Installation is to be done by a qualified technician only. However, the ultimate responsibility for proper installation falls to the owner.
6. Product failure due to improper installation is not covered under the Warranty.



## **CONSUMERS - Start Here**

**Safety Instructions are on pages 4 to 6 and Operating Instructions are on pages 18, 19, 22 and 23.**

Please perform these steps:

1. Read the safety instructions.
2. Read all instructions in the manual BEFORE operating the range hood.
3. Remove all packing materials.
4. Installation is to be done by a qualified technician only. However, the ultimate responsibility for proper installation falls to the owner.
5. Product failure due to improper installation is not covered under the Warranty.



**Hardware Note:** For safety reasons, range hood mounting screws and anchors will not be included due to the variation of cabinetry constructions and wall material. Please consult your installation specialist regarding the optimal type of mounting screws and wall anchors to suit your home's construction.

# Table of Contents

Before You Begin.....	2
Table of Contents .....	3
Important Safety Information .....	4
Included Parts .....	7
Range Hood Dimensions .....	8
Specifications.....	8
Installation.....	9
Step 1 - Read the Safety Instructions.....	9
Step 2 - Unpack Range Hood and Prepare Tools.....	9
Step 3 - Plan Desired Location .....	9
Step 4 - Test Unit Functions .....	9
Step 5 - Venting Installation Guidelines .....	10
Step 6 - Preparations .....	12
Step 7 - Create Exterior Ventilation (New Installation Only).....	12
Step 8 - Install Ductwork .....	12
Step 9 - Attaching Vent.....	13
Step 10 - Installing the Hood .....	15
Step 11 - Venting .....	16
Step 12 - Install Filters .....	17
Operation .....	18
Lamps (with 3 luminance setting + auto mode).....	18
Auto Night-Light.....	18
Power .....	18
Fan (with 3 speed setting).....	18
Timer .....	18
Maintenance.....	19
Replacing the Light Pucks.....	19
Range Hood Cleaning .....	19
Range Hood Assembly .....	20
Assembly.....	21
Circuit Diagram .....	21
Blower Assembly .....	21
Electrical Assembly .....	21
Troubleshooting.....	22
Use and Care Information .....	23

# Important Safety Information

## READ ALL INSTRUCTIONS BEFORE USE

Read and follow all instructions before using the range hood to prevent the risk of fire, electric shock, personal injury, or damage when using the range hood or appliances with the range hood. This guide does not cover all possible conditions that may occur. Always contact your service technician or manufacturer about problems that you do not understand.

- The installation in this manual is intended for qualified installers, service technicians or persons with a similar qualified background. Installation must be done by qualified professionals and in accordance with all applicable codes and standards, including fire-rated construction.
- The range hood may have very sharp edges; please wear protective gloves if it is necessary to remove any parts for installing, cleaning or servicing.
- Activating any switch to ON position before completing installation may cause damage or electric shock.
- Due to the size of this range hood, a two-person installation is recommended.

### To reduce the risk of fire, electric shock, or injury to persons:

- For general ventilating use only. **DO NOT** use to exhaust hazardous or explosive materials and vapours.
- **WARNING:** To Reduce The Risk Of Fire Or Electric Shock, Do Not Use This Fan With Any Solid-State Speed Control Device.
- The combustion air flow needed for safe operation of fuel-burning equipment may be affected by this unit's operation. Follow the heating equipment manufacturer's guideline and safety standards such as those published by the National Fire Protection Association (NFPA), and the American Society of Heating, Refrigeration and Air Conditioning Engineers (ASHRAE), and other local code authorities.
- Before servicing or cleaning the unit, switch power off at service panel and lock the service

disconnecting means to prevent power from being switched on accidentally. When the service disconnecting means cannot be locked, securely fasten a prominent warning device, such as a tag, to the service panel.

- Clean grease-laden surfaces frequently. To optimize performance and to disperse air properly, make sure to vent air outside. **DO NOT** vent exhaust into spaces between walls, crawl spaces, ceilings, attics or garages.
- Ducted fans **MUST** always be vented to the outdoors.
- This unit **MUST** be grounded and used with metal ductwork only.
- Sufficient air is needed for proper combustion and exhausting of gases through the duct to prevent back drafting.
- When cutting or drilling into wall or ceiling, be careful not to damage electrical wiring or other hidden utilities.
- All electrical wiring must be properly installed, insulated and grounded.
- Old ductwork should be cleaned or replaced if necessary to avoid the possibility of a grease fire.
- Check all joints on ductwork to ensure proper connection; all joints should be properly taped using a certified aluminum or foil tape.
- Use this unit only in the manner intended by the manufacturer. If you have questions, contact the vendor.

## READ AND SAVE THESE INSTRUCTIONS

# Important Safety Information

## **WARNING: TO REDUCE RISK OF A RANGE TOP GREASE FIRE:**

- a) Never leave surface units unattended at high settings. Boilovers cause smoking and greasy spillovers that may ignite. Heat oils slowly on low or medium settings.
- b) Always turn range hood ON when cooking at high heat or when flambéing food (i.e. Crepes Suzette, Cherries Jubilee, etc.).
- c) Clean ventilating fans frequently. Grease should not be allowed to accumulate on fan or filter. Before servicing or cleaning unit, unplug and disconnect the hood from the power supply.
- d) Use proper pan size. Always use cookware appropriate for the size of the surface element.

## **WARNING: TO REDUCE RISK OF INJURY TO PERSONS IN THE EVENT OF A RANGE TOP GREASE FIRE, OBSERVE THE FOLLOWING \***

- a) SMOTHER FLAMES with a close-fitting lid, cookie sheet, or metal tray, then turn off the burner. BE CAREFUL TO PREVENT BURNS. If the flames do not go out immediately, EVACUATE AND CALL THE FIRE DEPARTMENT.
- b) NEVER PICK UP A FLAMING PAN - You may be burned.
- c) DO NOT USE WATER, including wet dishcloths or towels - a violent steam explosion will result.
- d) Use an extinguisher ONLY if:
  - 1) You know you have a Class A, B, C extinguisher, and you already know how to operate it.
  - 2) The fire is small and contained in the area where it is started.
  - 3) The fire department is being called.
  - 4) You can fight the fire with your back to an exit.

\* Based on "Kitchen Fire Safety Tips" published by NFPA

## **To reduce the risk of injury to persons in the event of a gas leaks:**

- Extinguish any open flame.
- DO NOT turn on the lights or any type of appliance.
- Open all doors and windows to disperse the gas. If you still smell gas, call the gas company and fire department.

Your safety and the safety of others is very important. We have provided many important safety messages in this manual and on your appliance. Always read and obey all safety messages. All safety messages outline any potential hazards, how to reduce the chance of injury, and possible risks if the instructions are not followed.

## **READ AND SAVE THESE INSTRUCTIONS**

# Important Safety Information

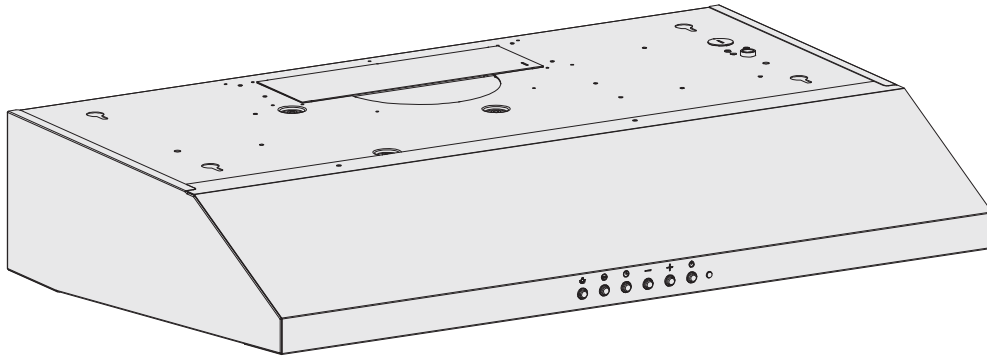
---

## **WARNING: TO REDUCE RISK OF A RANGE TOP GREASE FIRE:**

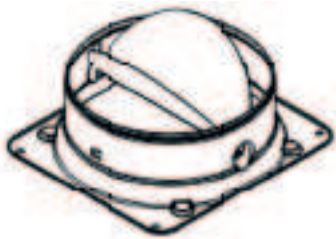
1. To reduce risk of fire and to properly exhaust air, be sure to duct air outside. Do not vent exhaust air into spaces within walls or ceilings or into attics, crawl spaces, or garages.
2. Take care when using cleaning agents or detergents.
3. Avoid using food products that produce flames under the Range Hood.
4. To avoid motor bearing damage and noisy and/or unbalanced impellers, keep drywall spray, construction dust, etc. off power unit.
5. Your hood motor has a thermal overload which will automatically shut off the motor if it becomes overheated. The motor will restart when it cools down. If the motor continues to shut off and restart, have the hood serviced.
6. For best capture of cooking impurities, the bottom of the hood should be a minimum of 24" (61 cm) and a maximum of 30" (76 cm) above the cooking surface.
7. Two installers are recommended because of the large size and weight of this hood.
8. This product is equipped with a thermostat which may start blower automatically. To reduce the risk of injury and to prevent power from being switched on accidentally, switch power off at service panel and lock or tag service panel.
9. Use with approved wiring for electrical connections only.
10. Please read specification label on product for further information and requirements.
11. Use only with range hood cord-connection kits that have been investigated and found acceptable for use with this model range hood.

## **READ AND SAVE THESE INSTRUCTIONS**

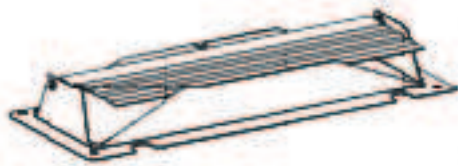
# Included Parts



Range Hood



Vent-round



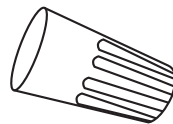
Vent-rectangle



Metal Cover



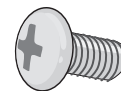
Rectangle bracket



3 + 1 pieces wire connector



2 Filters

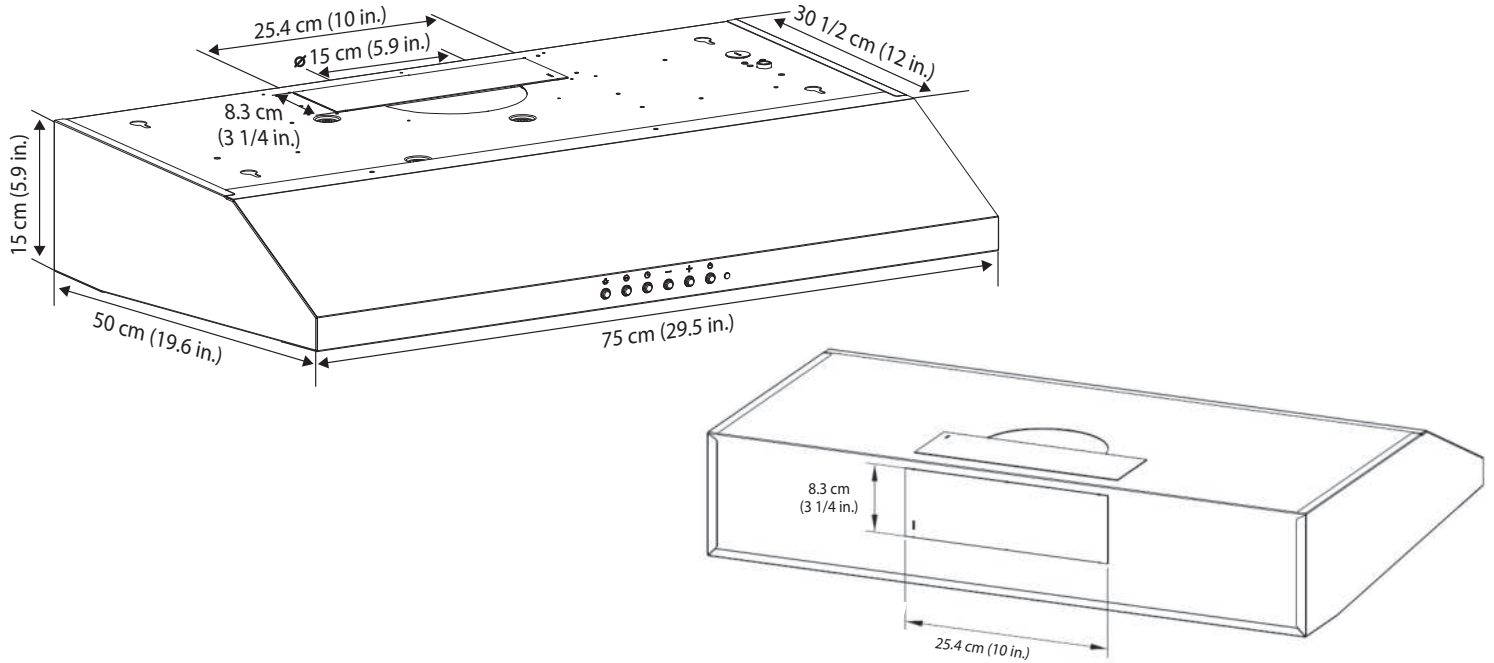


9 + 1 Mounting Screws  
(8 mm)



**Hardware Note:** For safety reasons, range hood mounting screws and anchors will not be included due to the variation of cabinetry constructions and wall material. Please consult your installation specialist regarding the optimal type of mounting screws and wall anchors to suit your home's construction.

# Range Hood Dimensions



## Specifications

Body Design	Stainless Steel	
Power Rating	120 V / 60 Hz (cETLus Listed)	
CFM	450	700
Total Input Power	141 W (135 W + 2 × 3 W)	201 W (195 W + 2 × 3 W)
Motor Input Power	135 W	195 W
Amperage	1.2 A	1.8 A
Speed Control Levels	3 Speeds	
Interference Protection	Radio Frequency Interference Protected	
Motors	Single Motor	
Motor Type	Single Chamber Quiet	
Fan type	Centrifugal Squirrel Cage	
Control	Electronic control panel	
Filtration	Aluminum filter	
Illumination	2 × 3 W LED	
Venting Size	6 inches (15 cm) round or 3 1/4 × 10 inch (8.3 cm × 25.4 cm) rectangle, top or rear	



# Installation

---

## STEP 1

### Read the Safety Instructions

- It is very important to read the safety instructions on pages 4, 5 and 6.

**IMPORTANT: It is the installer's responsibility to comply with installation clearances.**

---

## STEP 2

### Unpack Range Hood and Prepare Tools

- Carefully unpack the range hood and parts. Make sure all parts are included as shown on page 7.
  - DO NOT remove the protective film covering the appliance until the installation is fully completed.
  - Consult a qualified and trained installer or check local codes for makeup air requirement, if any.
- 

## STEP 3

### Plan Desired Location

- Plan a desirable location that fits all requirements in the Safety and Installation sections of this manual. Plan where and how the ductwork will be installed.
  - A straight or short duct run will allow the unit to perform most efficiently. Long duct runs, elbows and transitions will reduce the performance of the unit. Each elbow is equivalent to 5 to 10 feet (1.5 m to 3 m) of straight run.
  - If ductwork is already installed: ensure ductwork is free from debris.
- 

## STEP 4

### Test Unit Functions

- Connect the unit and test all of the functions before installing.
- Place the range hood on a flat, stable surface. Connect the range hood to a designated standard outlet (120-Volt, 60Hz, AC only) and turn on the range hood. Verify all operations of the range hood by referring to *Range Hood Operations*.
- Turn power On in control panel.
- Check all lights and fan operations.

#### **WARNINGS:**

- Please make sure to read ALL safety instructions on pages 4, 5 and 6.
- Use two or more people to move and install range hood.
- Failure to follow these instructions can result in serious injury.

# Installation

## STEP 5

### Venting Installation Guidelines

- The following steps are for exterior ventilation.

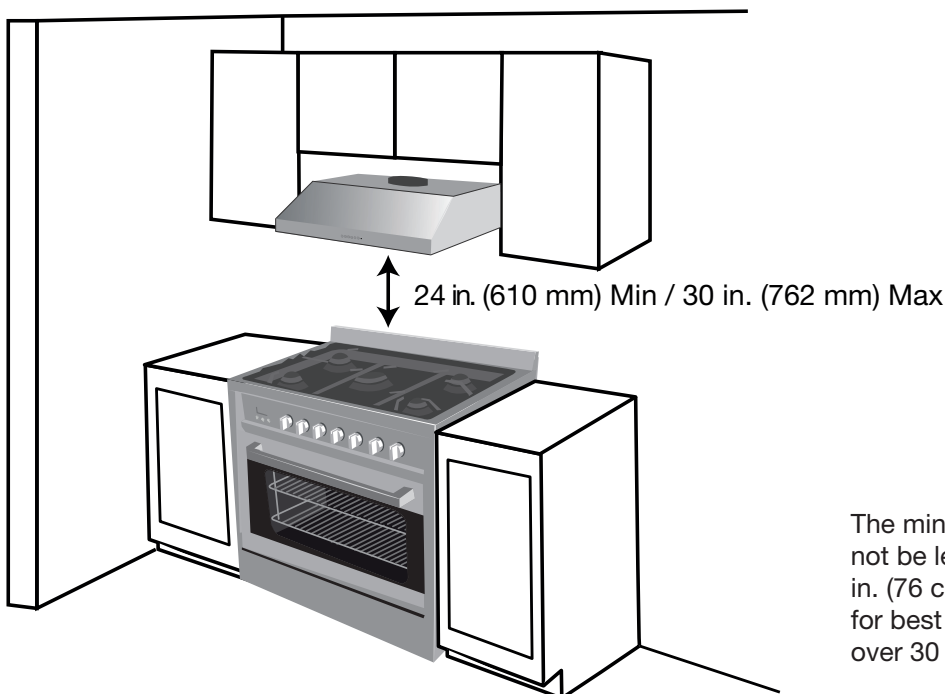
#### IMPORTANT:

- Vent system must terminate to the outside (roof or side wall).
- DO NOT terminate the vent system in an attic or other enclosed area.
- DO NOT use 4 in. (10.2 cm) laundry-type wall caps.
- Use metal/aluminum vent only. A rigid metal/aluminum vent is recommended.
- DO NOT use a plastic vent.
- Always keep the duct clean to ensure proper airflow.
- Calculate the following figures before installation:
  1. Distance from the floor to the ceiling
  2. Distance between the floor and the countertop/stove
  3. A distance of 24 in. to 30 in. (61 cm to 76.2 cm) is recommended between stove top and the bottom of range hood. 30 in. (76.2 cm) minimum is required for gas stove tops.
  4. Height of hood and duct cover.

#### For the most efficient and quiet operation:

- It is recommended that the range hood be vented vertically through the roof through 6 in. (15 cm) or bigger round metal/aluminum vent work.
- The size of the vent should be uniform.
- Use no more than three 90° elbows.
- Make sure there is a minimum of 24 in. (61 cm) of straight vent between the elbows if more than one elbow is used.
- DO NOT install two elbows together.
- The length of vent system and number of elbows should be kept to a minimum to provide efficient performance.
- The vent system must have a damper. If roof or wall cap has a damper, you may remove damper flaps from damper to increase air flow.
- Only one flange is needed in the air duct system, either on top of the motor or outside.
- Use silver tape or duct tape to seal all joints in the vent system.
- Use caulking to seal exterior wall or roof opening around the cap.

## Height and Clearance



The minimum hood distance above cooktop must not be less than 24 in. (61 cm). A maximum of 30 in. (76 cm) above cooktop is highly recommended for best capture of cooking impurities. Distances over 30 in. are at the installer and user's discretion.

# Installation

## IMPORTANT:

- A minimum of 6 in. (15 cm) round or 3-1/4 x 10 in. (8.3 cm x 25.4 cm) rectangular duct (purchased separately) must be used to maintain maximum airflow efficiency.
- Always use rigid type metal/aluminum ducts if available to maximize airflow when connecting to provided duct.
- Please use Duct Run Calculation below to compute total available duct run when using elbows, transitions and caps.
- ALWAYS, when possible, reduce the number or transitions and turns. If long duct run is required, increase duct size from 6 in. (15 cm) to 7 in. (17.7 cm) or 8 in. (20.3 cm). If a reducer is used, install a long reducer instead of a pancake reducer. Reducing duct size will restrict airflow and decrease airflow, thus reduce duct size as far away from opening as possible.
- If turns or transitions are required, install as far away from opening and as far apart, between two (2), as possible.
- Minimum mount height between stove top to hood bottom should be no less than 24-inch (61 cm) for electric cook tops and minimum of 30-inch (76.2 cm)

for gas stove tops and no higher than 30-inch (76.2 cm) for electric cook tops.

- It is important to install the hood at the proper mounting height. Hoods mounted too low could result in heat damage and fire hazard; while hoods mounted too high may be hard to reach and will lose its performance and efficiency.
- If available, also refer to stove top manufacturer's height clearance requirements and recommended hood mounting height above range.

Duct Run Calculation:	
Recommended maximum run	
6 in. (15 cm) or 3 1/4 x 10 in. (8.3 x 25.4 cm) duct	30 ft (9.1 m)
Vent piece deduction	
Each 90° elbow used	9 ft (2.7 m)
Each 45° elbow used	5 ft (1.5 m)
Each 6 in. to 3-1/4 x 10 in. transition used	7 ft (2.1 m)
Side wall cap with damper	0 ft (0 m)

Duct Run Calculation example:

One roof cap, two 90° elbows, and one 45° elbow use.

0ft + 9ft + 9ft + 5ft = 23ft used.

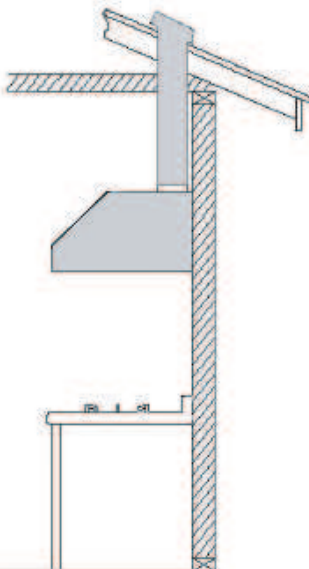
Deduct 23ft from 30ft, 7ft maximum available for straight duct run.

- This range hood is factory set for venting through the roof or wall.
- Vent work can terminate either through the roof or wall. To vent through a wall, a 90° elbow is needed.

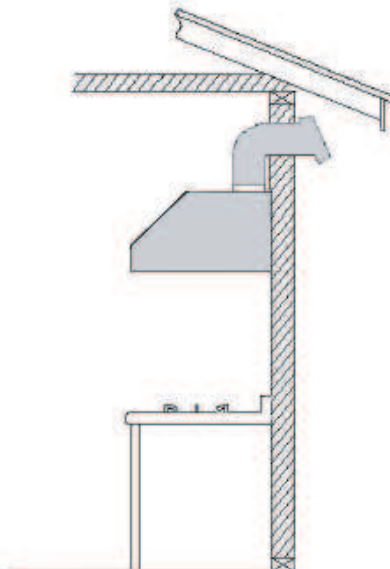
## IMPORTANT:

- **NEVER exhaust air or terminate duct work into spaces between walls, crawl spaces, ceiling, attics or garages. All exhaust must be ducted to the outside.**
- Use metal/aluminum duct work only.
- Fasten all connections with sheet metal screws and tape all joints with certified Silver Tape or Duct Tape.
- Use caulking to seal exterior wall or roof opening around the cap.

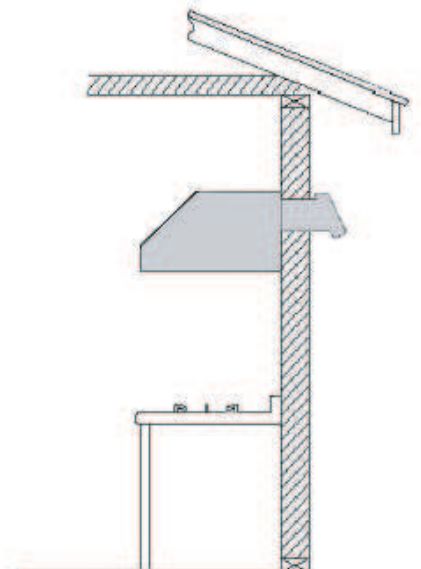
TOP VENTING  
ROOF EXHAUST



TOP VENTING  
WALL EXHAUST



REAR VENTING



# Installation

## STEP 6 Preparations

**NOTE:** To avoid damage to your hood, prevent debris from entering the vent opening.

- Determine and mark the center line on the ceiling or wall where the range hood will be installed.
- Make sure there is proper clearance within the ceiling or wall for exhaust vent.
- Due to the weight and size of this unit, please make sure that the support system or framework being used is stable and secure in the ceiling or wall.
- Put a thick, protective covering over counter top, cook top or range to protect from damage or dirt.
- Remove any hazardous objects around the area when installing.



### CAUTION

If moving the cooking range is necessary to install the hood, turn **OFF** the power on an electric range at the main electrical box. **SHUT OFF THE GAS BEFORE MOVING A GAS RANGE**

## STEP 7 Create Exterior Ventilation (New Installation Only)

- Choose one of the exterior venting methods shown on Page 11.
- Create the exterior ventilation hole.
- Following recommendations and calculations specified on Pages 10 to 11, use new aluminum/metal ducting cut specifically for the distance between the range hood damper and the exterior damper.
- Fasten all connections with sheet metal screws and tape all joints with certified aluminum or foil tape.
- Please check the building codes in your city to learn which tape product is recommended.

## STEP 8 Install Ductwork

- Use the tool to punch the wiring hole, from the 2 options for holes. Please choose hole A or hole B accordingly to wiring requirement. (Figure #1)
- Loosen 2 screws of electronic box, connect cable to range hood wiring using included wire connectors. Connect **BLACK** to **BLACK**, **WHITE** to **WHITE** and **GREEN** or **BARE WIRE** to **GREEN** ground screw. **DO NOT FORGET TO CONNECT THE GROUND.** (Figure #2)

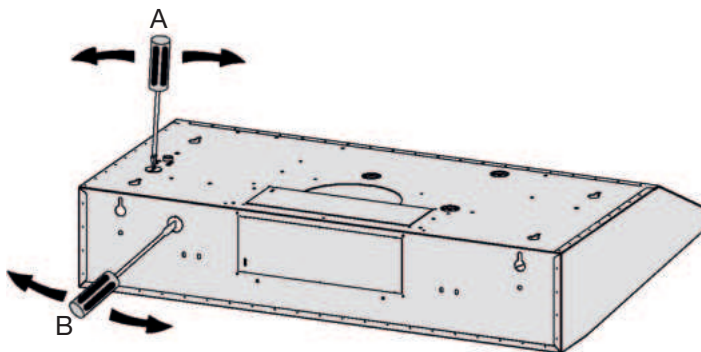


Figure #1

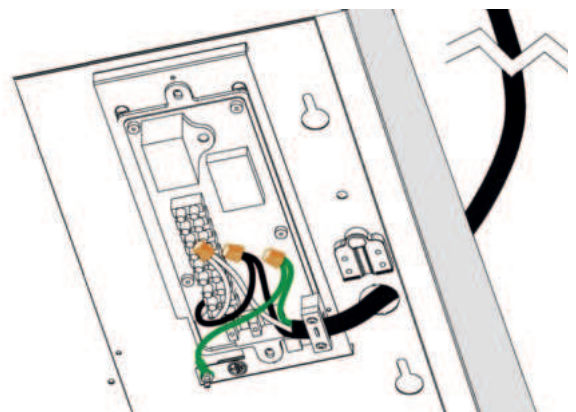


Figure #2

# Installation

- A metal cover is included, to protect the motor. To install, loosen and remove the 4 screws, then put the metal cover on and tighten the screws.

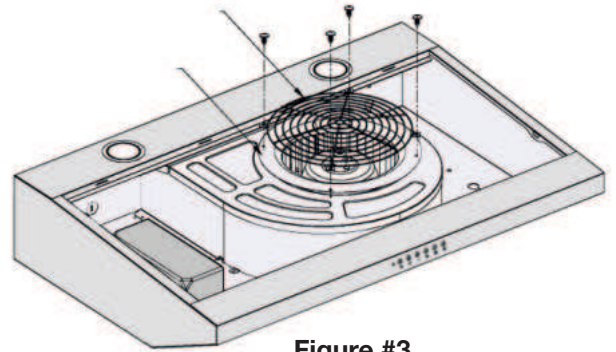


Figure #3

## STEP 9 Attaching Vent

- There are 3 venting ways, with 2 type of damper options, one is 6 in. round (15 cm), another is 3 1/4 × 10 in. (8.3 cm × 25.4 cm) rectangle.

**NOTE: Please only punch the vent hole you want to use. Do not punch more than one vent hole, otherwise, the air power suction will be greatly affected.**

### Top venting using 6 in. (15 cm) round damper

- If you require 6 in. (15 cm) round venting, keep the unit as provided in the packaging and install the round damper provided; Below figures #4, #5 and #6 show how to punch the 6 in. (15 cm) round venting.

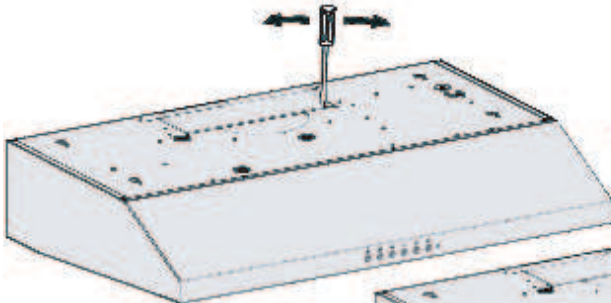


Figure #4

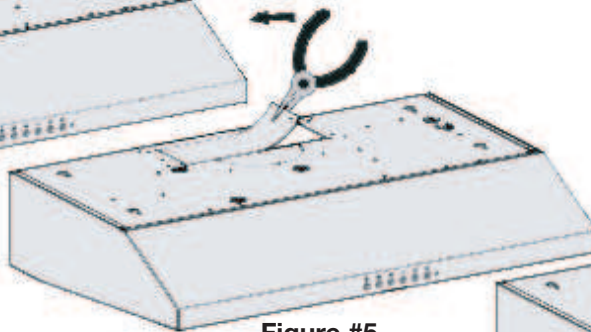


Figure #5

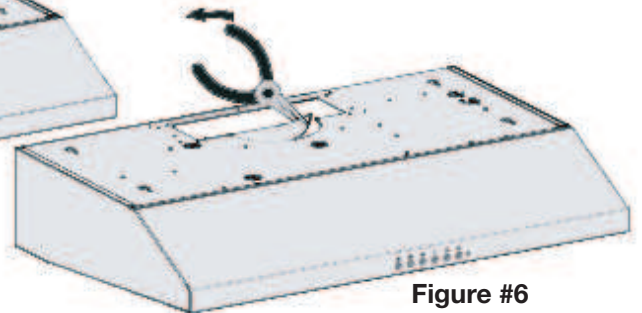


Figure #6

- Then put the rectangle bracket to the top and fixed by screws, position 6 in. (15 cm) damper on top of the unit and set in place with screws provided (Figure #7).

Fix 6 in. (15 cm) damper to the top by screws 4 pieces 4 × 8 mm

Fix the rectangle bracket by screws 5 pieces 4 × 8 mm

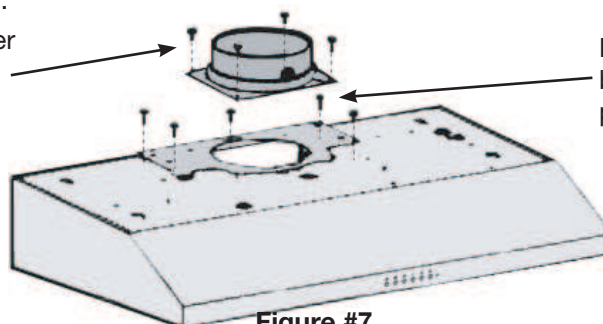


Figure #7

# Installation

## Top venting using rectangular damper

- If you require rectangular top (vertical) venting simply install the rectangular damper provided (See Figure #8, #9 and #10). Use screws 4 × 8 mm to connect damper.

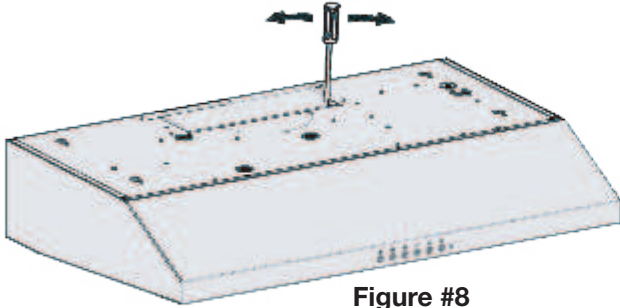


Figure #8

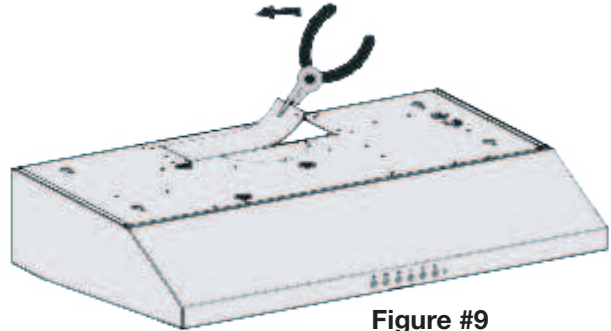


Figure #9

Fix rectangle damper to the top by screws 4 × 8 mm

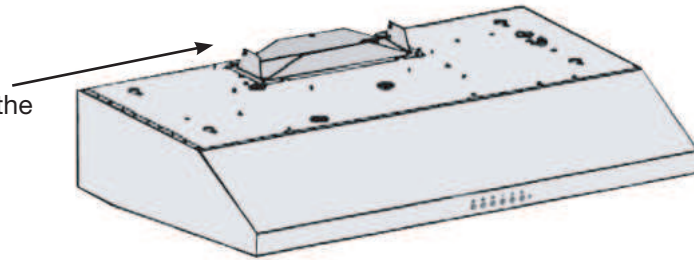


Figure #10

## Rear venting (horizontal) using rectangular damper

- If you require rectangular top (horizontal) venting simply install the rectangular damper provided. See Figure #11, #12 and #13 to remove plate, use screws 4 × 8 mm to connect damper.

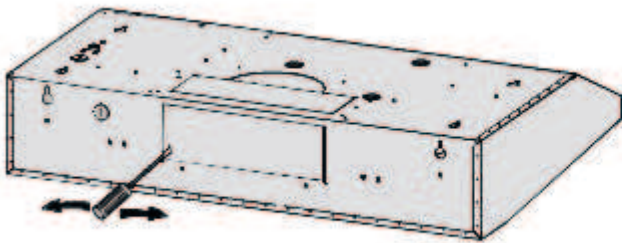


Figure #11

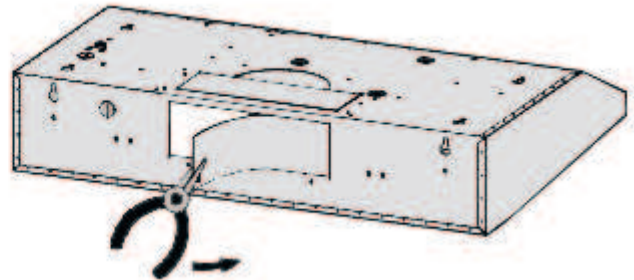


Figure #12

Fix rectangle damper to the top by screws 4 × 8 mm

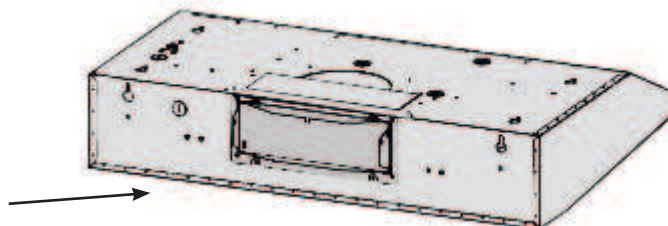


Figure #13

# Installation

## STEP 10

### Installing the Hood

#### Method 1: Attaching the unit to the wall

- The following drawings show the mounting dimensions of the 30 in. (750 mm).
- Mark or drill 4 small holes on the mounting position according to the dimensions on Figure #14.
- Insert 4 drywall anchors into the holes, and 2 screws into the top holes.
- Hang the range hood onto the screws.
- Open the filter and install the inner panel in place with safety screws.
- Attach the ducting to the damper and exhaust outdoors (Figure #15).

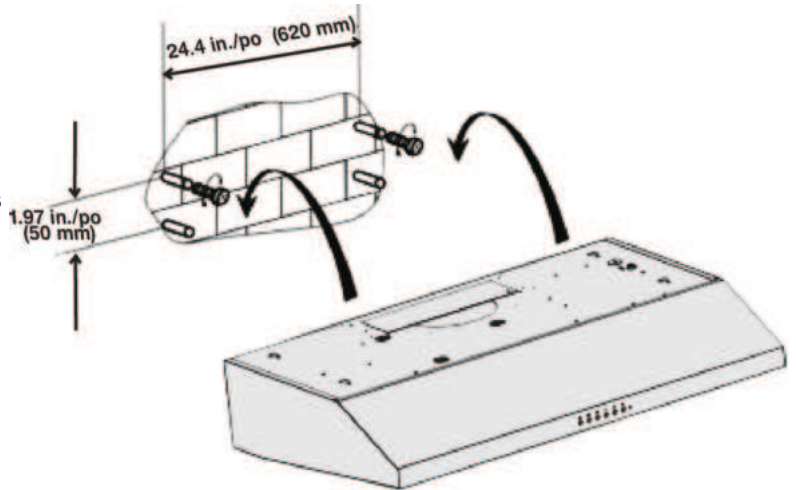


Figure #14

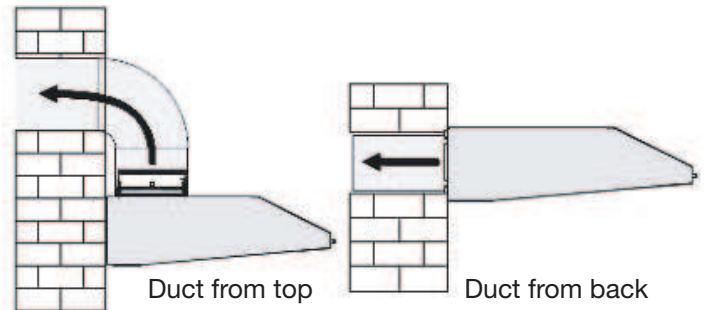


Figure #15

#### Method 2: Attaching the unit to under kitchen cabinets

- Mark or drill 4 small holes on the mounting position according to the space and dimensions cited on the following image (Figure #16).
- Install 4 screws.
- Open the filter, align the hole of hood to the screws, then tighten the screws.
- The following drawings show the mounting dimensions of the 30 in. (750 mm).

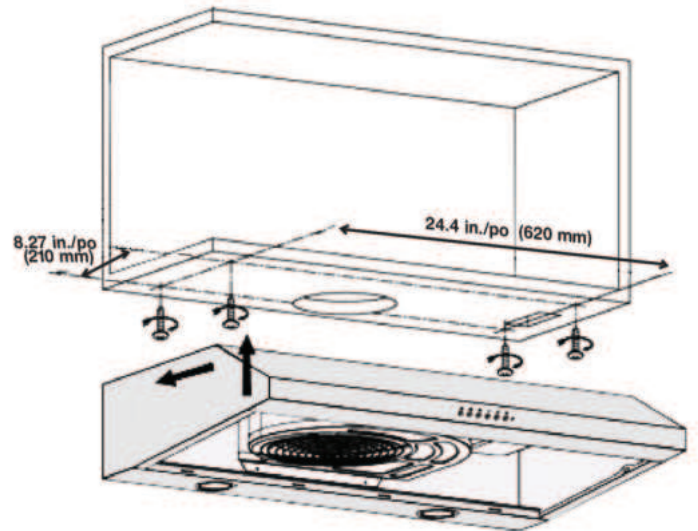


Figure #16

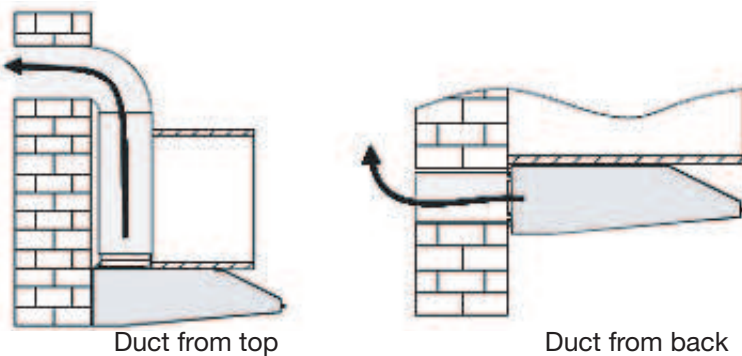


Figure #17

# Installation

## STEP 11

### Venting

- Depending on exterior ventilation chosen (see page 10), either exit the ducting through the ceiling or wall.
- Always use rigid type metal/aluminum duct tube (follow the building codes in your area) to maximize airflow. Make sure that the backdraft flaps can open, to allow maximum airflow. Connect the duct tube to the vent/damper and securely seal with certified aluminum or foil tape so that it is air tight. Please check the building codes in your city to learn which tape product is recommended.
- Connect ductwork to damper. Use Duct Tape to ensure joint is sealed and air tight.



#### IMPORTANT:

- Observe all governing codes and ordinances.
- **It is the customer's responsibility to contact a qualified electrical installer.**
- If codes permit and a separate ground wire is used, it is recommended that a qualified electrician determine that the ground path is adequate. A 120-Volt, 60 Hz, AC-only, fused electrical supply is required on a separate 15-amp circuit, fused on both sides of the line.
- DO NOT ground to a gas pipe.
- Check with a qualified electrician if you are not sure that the range hood is properly grounded.
- DO NOT have a fuse in the neutral or ground circuit.

**IMPORTANT: Save this Installation Guide for electrical inspector's use.**

#### GROUNDING INSTRUCTIONS:

- This appliance must be grounded. In the event of an electrical short-circuit, grounding reduces the risk of electric shock by providing an escape wire for the electric current.

**WARNING:** Improper grounding can result in a risk of electric shock.

- Consult a qualified electrician if the grounding instructions are not completely understood, or if doubt exists as to whether the appliance is properly grounded. DO NOT use an extension cord. If the power supply cord is too short, have a qualified electrician install an outlet near the appliance.
- The range hood must be connected with copper wire/plug only. The range hood should be connected directly to the fused disconnect (or circuit breaker) box through flexible armored or non-metallic sheathed copper cable. UL/CSA listed strain relief must be provided at each end of the power supply cable. Use only with range hood cord-connection kits that have been investigated and found acceptable for use with this model.



# Installation

## STEP 12

### Install Filters

To install filters for the following four steps (See Figure #18):

- Angle the filter into slots at the back of the hood.
- Push the button on handle of the filter.
- Release the handle once the filter fits into a resting position.
- Repeat to install all filters.

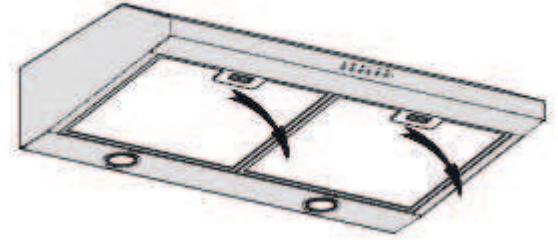


Figure #18

## Cleaning Filters

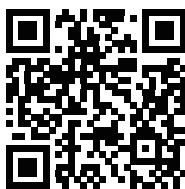
**IMPORTANT: Drain oil from spacers, filters, oil tunnels, oil containers before oil and residue overflow!**

- Remove all spacers, filters, grease tray, and oil containers and discard oil and residue.
- Wash with warm soapy water. NOTE: Stainless steel filters, spacers and oil tunnel are top rack dishwasher safe.
- Dry thoroughly before replacing and follow directions for installation in reverse.
- Filters should be cleaned after every 30 hours of use.
- Should filters wear out due to age and prolonged use, replace with a new filter.



Canada

Scan this QR code to  
purchase replacement  
filters



USA

Scan this QR code to  
purchase replacement  
filters

# Operation



Light



Function



Auto  
Shut-off



Decrease  
Speed





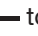



Increase  
Speed








Power  
On / Off

## Speed Settings




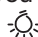
- 1 Press the button  or  once and the motor starts to operate at one speed (minimum speed).
- 2 Press the button  second / third / fourth time and the motor will reach second / third / fourth speed.
- 3 Press the button  fifth time and the motor will reach fifth speed.
- 4 Press the button  to lower speeds in succession until the motor stops working (power off).
- 5 IMPORTANT: When the lights and/or fan are working press the button  once and they will turn off instantly.

## Dimmer / Auto Night Light Function

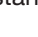



- 1 Press the light button  briefly until you hear 1 short beep. The light will be at the high setting.
- 2 Press the light button  briefly until you hear 1 short beep. The light will be at the low setting.
- 3 Press the light button  briefly until you hear 1 short beep. The light will be at the night light setting.
- 4 Press the light button  briefly until you hear 1 long beep. The auto night light function will be set.
- 5 Press the light button  briefly until you hear 1 long beep. The auto night light will turn off.

## 5 Built-in color temperature function (2700K / 3000K / 3500K / 4000K / 5000K)

\*\* Before you start, make sure the hood is turned off\*\*

- 1 Press and hold the light button  for more than 5 seconds until you hear 2 short beeps to enter the settings (default color: 3000K).
- 2 Press the  or  button until you find the light color temperature for your needs.
- 3 Once you have chosen the color temperature, press the light button  briefly until you hear 2 short beeps. Your settings will be saved.

## Timer

- 1 When the hood is operating under any speed, press the  button once to activate Auto Delay Shut-Off function, and the fan will turn off in 5 minutes.
- 2 To cancel this function, press the  button again or change the speed by pressing  or  button.

## F (Function button)

Function button not accessible for this model.

# Maintenance

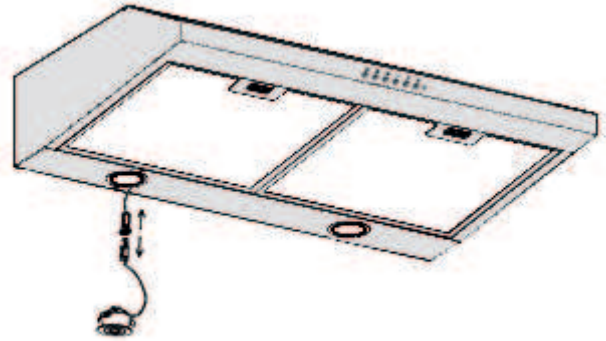
## Replacing the Light Pucks



### IMPORTANT:

**ALWAYS SWITCH OFF THE ELECTRICITY SUPPLY AT THE MAIN PANEL BEFORE CARRYING OUT ANY OPERATION ON THE APPLIANCE.**

- 1 Make sure the range hood is unplugged or turn OFF breaker.
- 2 Open the filter and find the spring of the light.
- 3 Push to release the puck light from behind.
- 4 Replace with a 12 Volt, 3 Watt max, LED lights. Do not touch replacement puck with bare hands!
- 5 Turn ON breaker and range hood to test for operation.



**CAUTION: PUCK MAY BE HOT, PLEASE TAKE OUT THE PUCK WHEN THE PUCK IS COMPLETELY COOL!**



Canada

Scan this QR code to purchase replacement lights



United States

Scan this QR code to purchase replacement lights

## Range Hood Cleaning

Proper maintenance of the Range Hood will ensure proper performance of the unit.

Use a warm detergent solution. Grease filters are dishwasher safe.

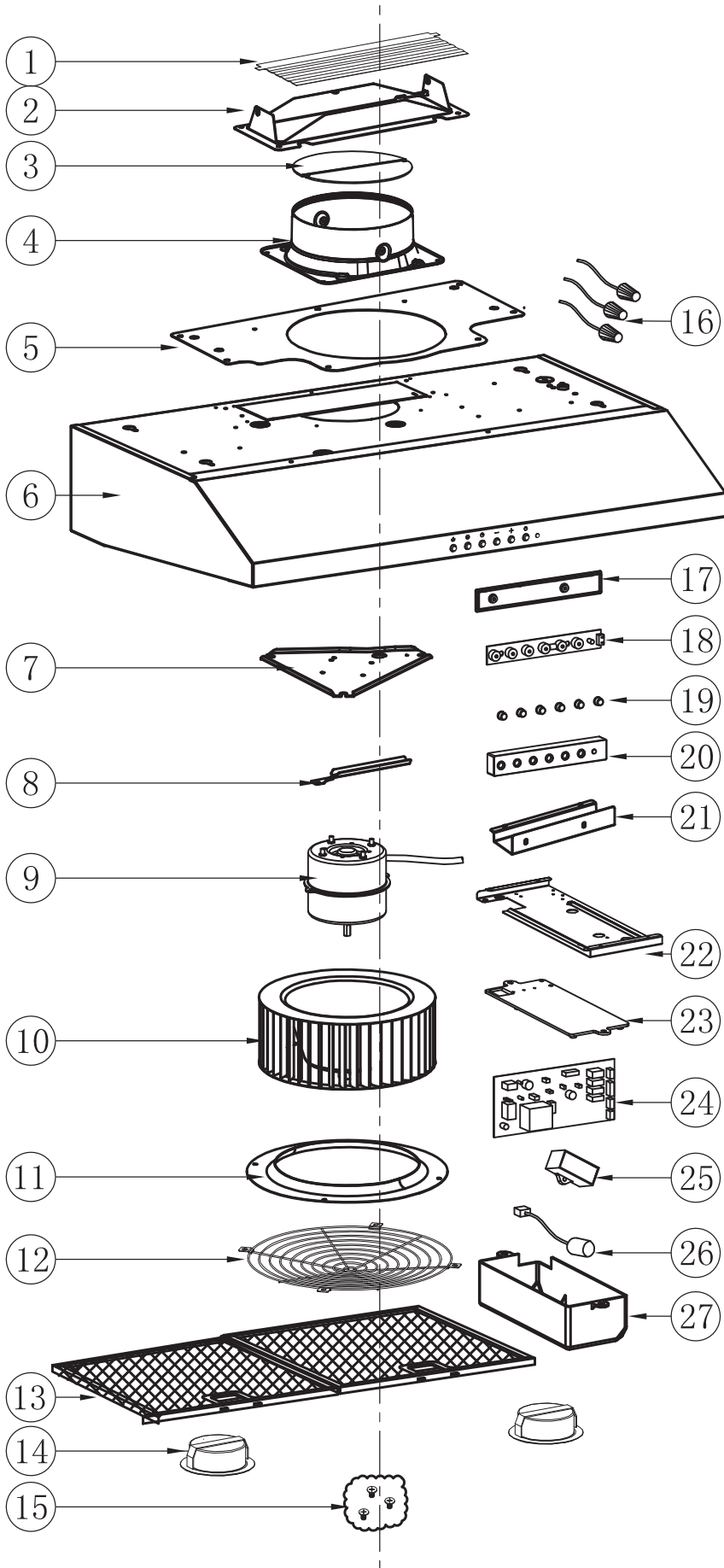
Stainless steel is one of the easiest materials to keep clean. Occasional care will help preserve its appearance.

Cleaning tips:

- Hot water with soap or detergent is all that is usually required.
- Follow all cleaning by rinsing with clear water. Wipe dry with a clean, soft cloth to avoid water marks.
- For discolorations or deposits that persist, use a non-scratching household cleanser or stainless steel polishing powder with a little water and a soft cloth.
- For stubborn cases, use a plastic scouring pad or soft bristle brush with cleanser and water. Rub lightly in direction of polishing lines or “grain” of the stainless finish. Avoid using too much pressure, which may mar the surface.
- DO NOT allow deposits to remain on surface for long periods of time.
- DO NOT use ordinary steel wool or steel brushes. Small bits of steel may adhere to the surface causing rust.
- DO NOT allow salt solutions, disinfectants, bleaches, or cleaning compounds to remain in contact with stainless steel for extended periods. Many of these compounds contain chemicals which may be harmful. Rinse with water after exposure and wipe dry with a clean cloth.

Painted surfaces should be cleaned with warm water and mild detergent only.

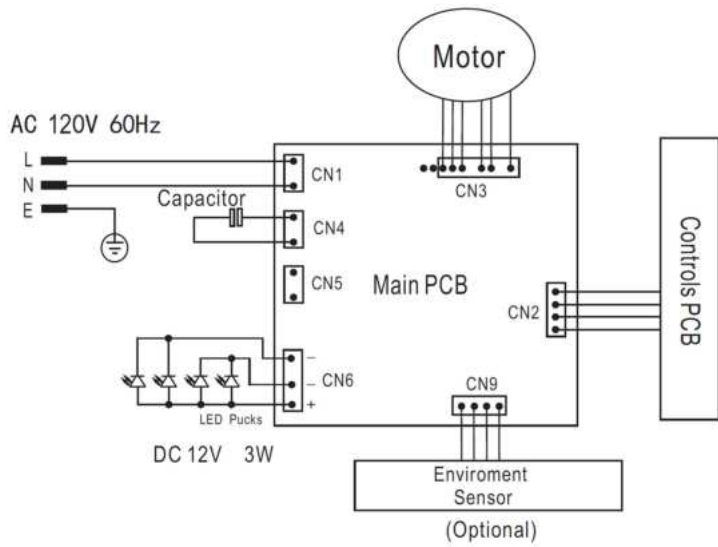
# Range Hood Assembly



Number	Part
1	Damper flap (rectangle)
2	Vent (rectangle)
3	Damper flap (round)
4	Vent (round)
5	Rectangle bracket
6	Housing assembly
7	Motor bracket
8	Slot
9	Motor
10	Wheel
11	Metal ring
12	Metal cover
13	Filter (1 set with 2 pieces)
14	LED puck lights
15	Screw bag
16	Terminal cap
17	Cover of control box
18	Control board
19	Control button
20	Control box
21	Bracket of control
22	Bracket of electronic box
23	Base of electronic box
24	PCB
25	Capacitor
26	Shielding plug-in
27	Cover of electronic box

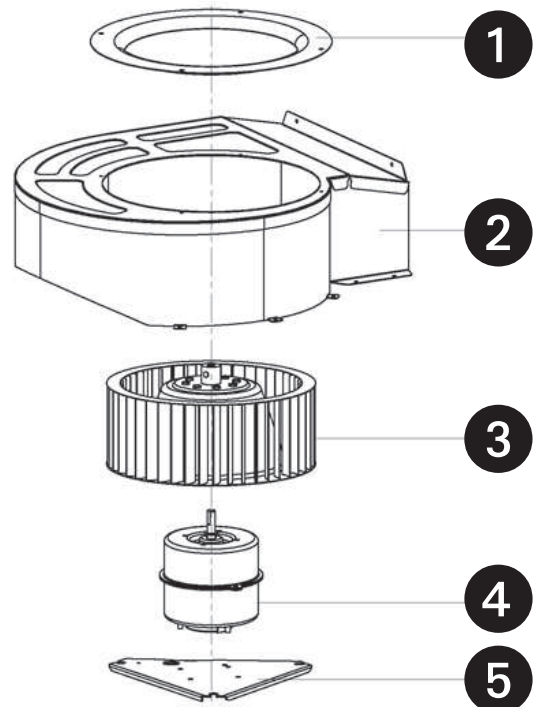
# Assembly

## Circuit Diagram



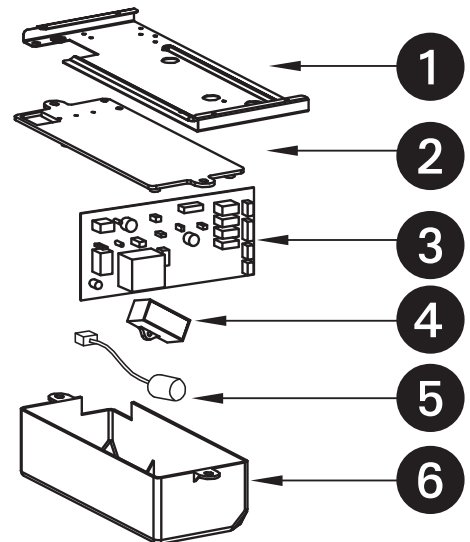
## Blower Assembly

Number	Part
1	Ring
2	Blower
3	Propeller
4	Motor
5	Bracket of motor



## Electrical Assembly

Number	Part
1	Bracket of electronic box
2	Base of electronic box
3	PCB
4	Capacitor
5	Shielding plug-in
6	Cover of electronic box



# Troubleshooting

Problem	Cause	Solution
Light on, but motor does not work	The motor blocked	Get rid of the blocking
	The capacitor is damaged	Have capacitor replaced
	The motor bearings are jammed or damaged	Have motor replaced
Light does not work, motor does not work	Beside the mentioned above, check the following:	
	Light is damaged	Replace lights
	Wires are loose or disconnected	Connect the wires as per the electric diagram
Oil leakage	The one-way valve and the air ventilation entrance are not tightly sealed	Take down the one way valve and seal with glue
	Leakage from the connection of U-shaped section and cover	Take U-shaped section down and seal with soap or paint
Hood body shakes	The motor damaged and causes shaking	Have motor replaced
	The motor is not tightly attached	Tighten motor
	The body is not tight	Tighten the body
Insufficient suction	The hood is installed too high (too much distance between hood and cooktop)	Install hood at the appropriate height
	Too much ventilation from open doors or windows	Close doors or windows
The hood is slanted	The fixing screw is not tight enough	Place hood in its proper position and tighten the fixing screw
	The hanging screw is not tight enough	Place hood in its proper position and tighten the hanging screw

# Use and Care Information

## Operations

- Read and understand all instructions and warnings in this manual before operating the appliance. Save these instructions for future reference.
- Always leave safety grills and filters in place. Without these components, operating fans could catch on to hair, fingers and loose clothing.
- NEVER dispose cigarette ashes, ignitable substances, or any foreign objects into fans.
- NEVER leave cooking unattended. When frying, oil in the pan can easily overheat and catch fire. The risk of self combustion is higher when the oil has been used several times.
- NEVER cook on “open” flames under the range hood. Check deep-fryers during use; superheated oil may be flammable.

## Cleaning

- The saturation of greasy residue in the fan and filters may cause increased inflammability. Keep unit clean and free of grease and residue build-up at all times to prevent possible fires.
- Filters must be cleaned periodically and free from accumulation of cooking residue (see Cleaning Instructions below). Old and worn filters must be replaced immediately.
- DO NOT operate fans when filters are removed. Never disassemble parts to clean without proper instructions. Disassembly is recommended to be performed by qualified personnel only. Read and understand all instructions and warnings in this manual before proceeding.



**SAFETY WARNING: Never put your hand into area housing the fan while the fan is operating!**

**For optimal operation, clean range hood and all spacer/filter/grease tray/oil container regularly. Regular care will help preserve the appearance of the range hood.**

## Cleaning Exterior Surfaces

- Clean periodically with hot soapy water and clean cotton cloth. DO NOT use corrosive or abrasive detergent (e.g. Comet Power Scrub®, EZ-Off® oven cleaner), or steel wool/scoring pads, which will scratch and damage the stainless steel surface. For heavier soil use liquid degrease such as “Formula 409®” or “Fantastic®” brand cleaner.
- If hood looks splotchy (stainless steel hood), use a stainless steel cleaner to clean the surface of the hood. Avoid getting cleaning solution onto or into the control panel. Follow directions of the stainless steel cleaner. **CAUTION: DO NOT leave on too long as this may cause damage to hood finish.** Use soft towel to wipe off the cleaning solution, gently rub off any stubborn spots. Use dry soft towel to dry the hood.
- After cleaning, you may use non abrasive stainless steel polish such as 3M® or ZEP®, to polish and buff out the stainless luster and grain. Always scrub lightly, with clean cotton cloth, and with the grain.
- DO NOT allow deposits to accumulate or remain on the hood.
- DO NOT use ordinary steel wool or steel brushes. Small bits of steel may adhere to the surface and cause rusting.
- DO NOT allow salt solutions, disinfectants, bleaches, or cleaning compounds to remain in contact with stainless steel for extended periods. Many of these compounds contain chemicals, which may be harmful.
- Rinse with water after exposure to these compounds and wipe dry with a clean cloth.



---

**TO REGISTER YOUR WARRANTY:**

**USA: [myovo.net/register](http://myovo.net/register)**

**Canada: [myovo.ca/registerer](http://myovo.ca/registerer)**

---

**TO PURCHASE NEW ACCESSORIES, PARTS AND FILTERS**

**USA: [myovo.net](http://myovo.net) - CANADA: [myovo.ca](http://myovo.ca)**

---

**2044 Autoroute 440 Ouest, Laval, QC, H7S 2M9**

**+1-800-776-7891**