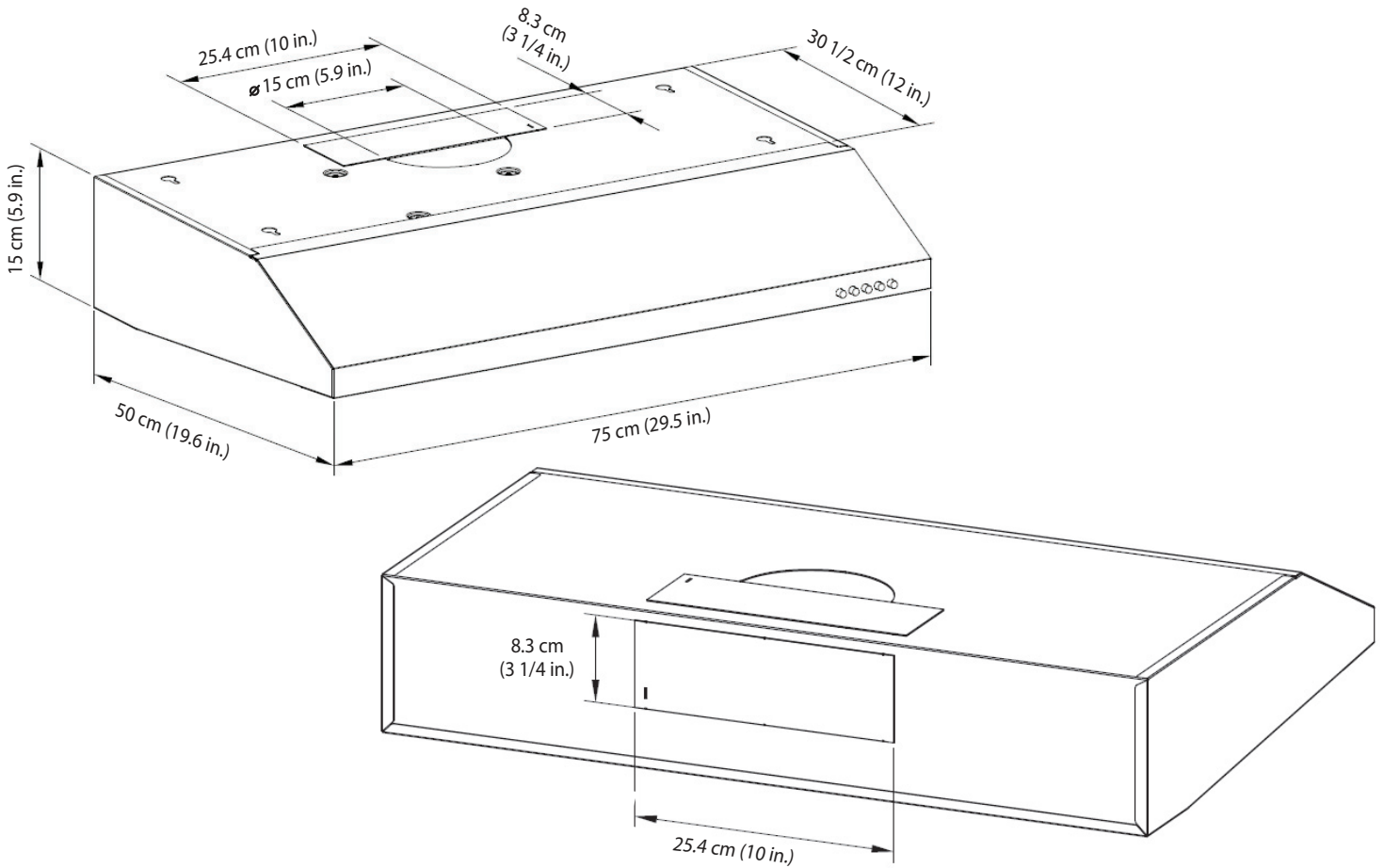


# Range Hood Dimensions



## Specifications

Body Design	Stainless Steel
Power Rating	120 V / 60 Hz (cETLus Listed)
Total Input Power	141 W (135 W + 2 × 3 W)
Motor Input Power	135 W
Amperage	1.2 A
Speed Control Levels	3 Speeds
Interference Protection	Radio Frequency Interference Protected
Motors	Single Motor
Motor Type	Single Chamber Quiet
Fan type	Centrifugal Squirrel Cage
Control	Mechanical control panel
Filtration	Aluminum filter
Illumination	2 × 3 W LED
Venting Size	6 in (15 cm) round or 3 1/4 × 10 in (8.3 cm × 25.4 cm) rectangle, top or rear